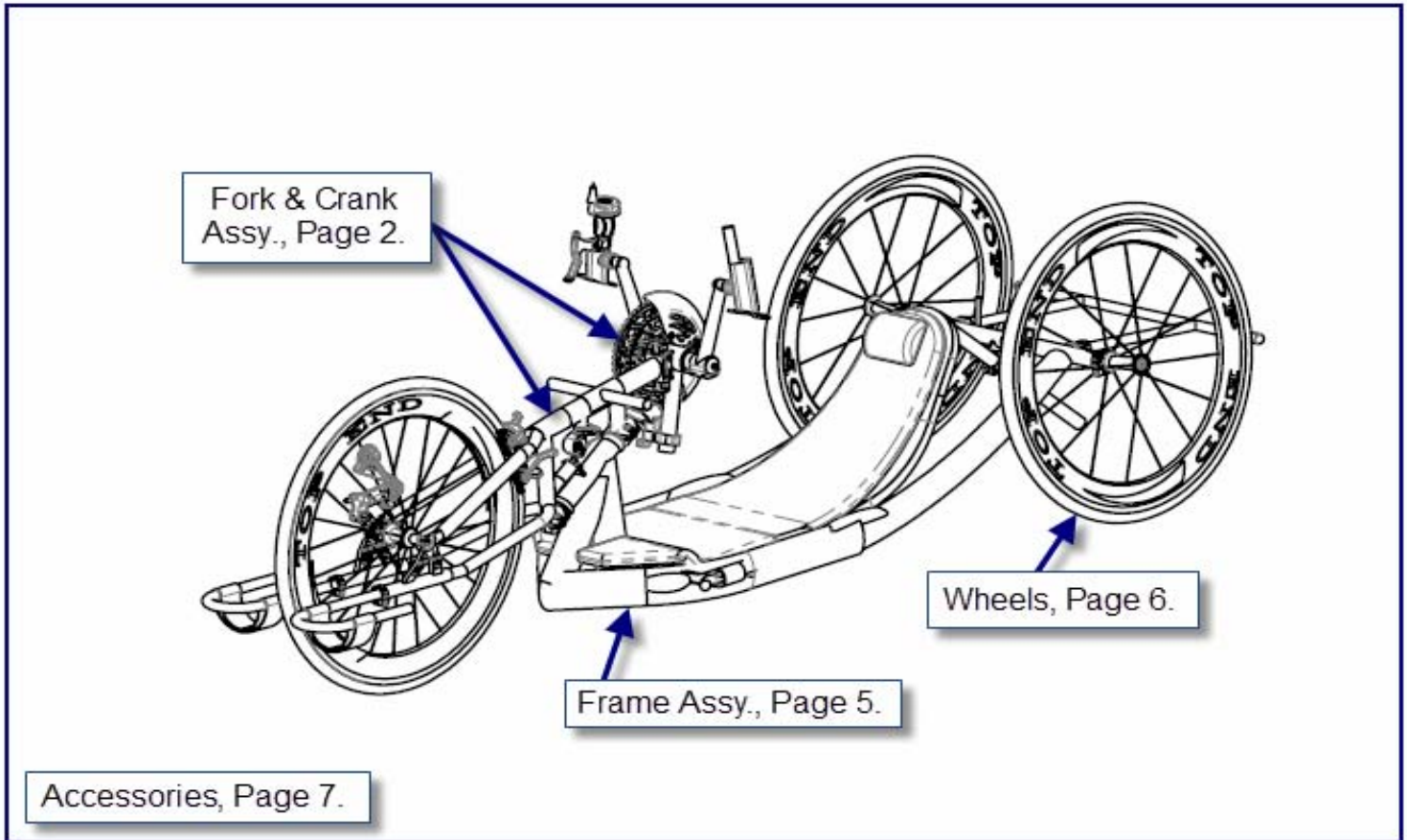




Sports and Recreation Products  
4501 63rd Circle North  
Pinellas Park, FL 33781  
(800) 532-8677 (727) 522-8677  
Fax: (727) 522-1007  
www.topendwheelchair.com

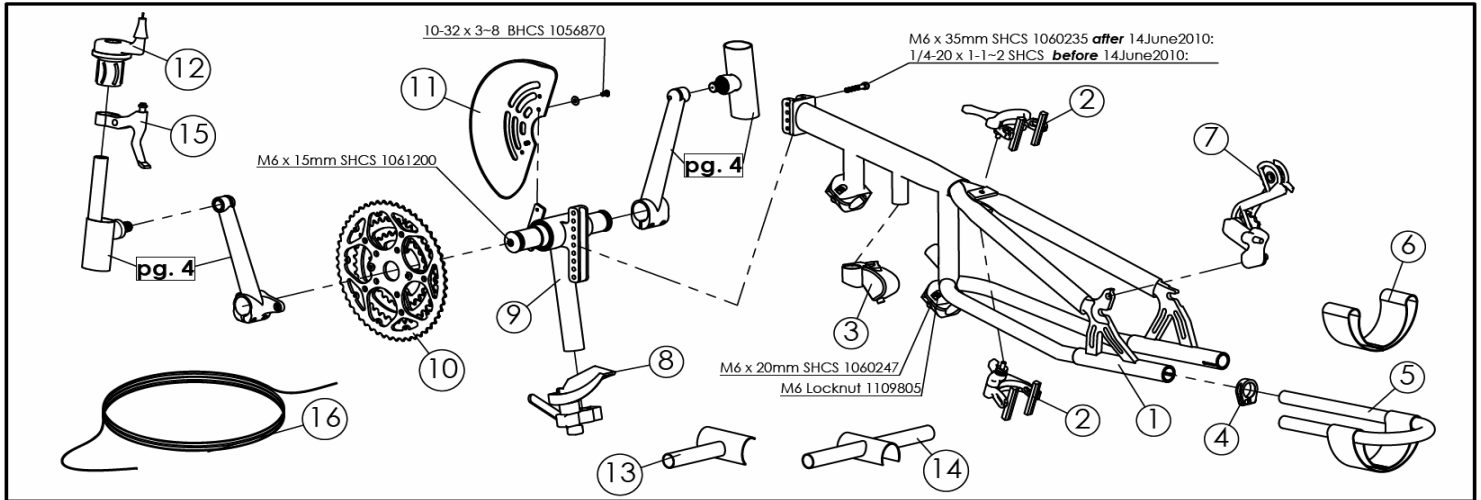
# Invacare Top End Parts Catalog Force R





**Force R: Fork/Crank Assy**

Date:	PO# / Customer#	Ship to <input type="checkbox"/> Customer <input type="checkbox"/> Provider
Provider:	Account #	Customer:
Phone:	Fax:	Phone:
		Top End Sales Order:
		Serial #:

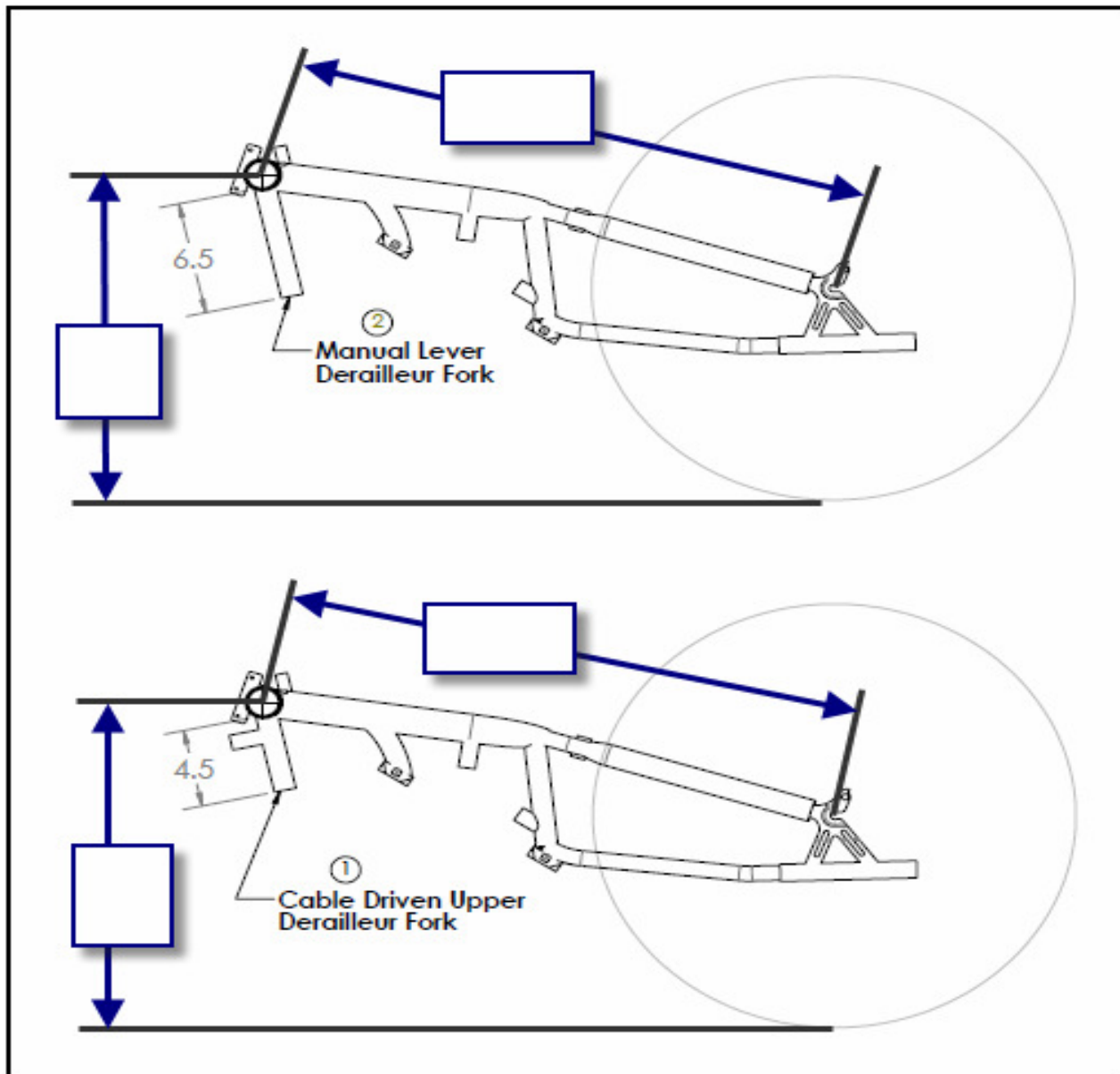


ITEM	PART NUMBER	PER BIKE	DESCRIPTION	QTY.	
1	1153309	1	Fork, Force R (incl: fork, 2 clamps, 4 bolts, 4 nuts) <b>-Serial Required-</b> <input type="checkbox"/> Aero <input type="checkbox"/> Wide Style Color _____		EA
	1153164	2	Fork Clamp, bottom Half Color _____		EA
	1166231	1	Fork, Force R, Disc Brake compatible (wide style, integral welded mount) Color _____		EA
	(Page 3)	1	Fork, Fix Length and Fixed Crank Height		EA
2	1127940	2	Brake Caliper for High Performance Tire, 27 Spd, Cane Creek SCR-3		EA
	1156686	2	Brake Caliper, Cane Creek SL with Titanium Hardware		EA
	1166463	2	Replacement Brake Pads for Standard Metal Rim Wheel		PR
	1139823	2	Replacement Brake Pads for Caron Fiber Rim Wheel		PR
	1156720	1	Disc Brake Caliper		EA
	1156768	1	Disc Brake Rotor for Standard Wheel Only		EA
	1166232	1	Disc Brake Rotor for Corima Wheel Only		EA
	1156769	2	Disc Brake Replacement Pads		PR
3	1166481	1	Parking Brake Lever		EA
4	1139810	2	Clamp, 1", Single Screw		EA
5	1153042	2	Handcycle Leg Support (3/4") w/ Strap <input type="checkbox"/> 3-3/4 (std) <input type="checkbox"/> 4-3/4 Wide <input type="checkbox"/> Right <input type="checkbox"/> Left		EA
6	1153155	2	Footrest Strap, 2" Padded		EA
7	1156681	1	SRAM X.O. Derailleur (Front Wheel)		EA
8	1139745	1	Manual Derailleur Assembly (incl: derailleur, lever, and hardware)		EA
9	1153310	1	Crank Asm, Vertical Adjustment (inc: housing, 6-3/4in spindle, hardware)		EA
	1153311	1	Bottom Bracket Spindle Asm (incl: spindle, 2 star nuts) <input type="checkbox"/> 6-3/4in <input type="checkbox"/> 7-1/4in <input type="checkbox"/> Other _____		EA
	1145951	2	Cap, Spindle (with Screw M6 x 16 mm)		EA
	1127921	4	Bearing, Bottom Bracket 30mm x 42 x 7		EA
10	1166338	1	Chainring Ring Asm, 48-39-24, Black (Separate Spider)		EA
	1166339	1	Chainring Ring Asm, 53-39-28, Black (Separate Spider)		EA
	1127941	1	Chainring Asm, 48-40-24, Silver (48T/Spider Combined)		EA
	1139806	1	Chainring Asm, 53-40-28, Silver (53T/Spider Combined)		EA
	1166510	1	Q-ring 39T Chainring, 5x130 mm, Rotor Ring		EA
	1166511	1	Q-ring 53T Chainring, 5x130 mm, Rotor Ring		EA
11	1156774	1	Chainring Guard, Slotted		EA
12	1156682	1	SRAM X.O Grip/twist shifter (compatible only with SRAM Front Wheel Derailleur)		EA
	1156683	1	SRAM X.O Trigger shifter (compatible only with SRAM Front Wheel Derailleur)		EA
13	1166229	1	Single-sided Fork Mount Assembly (incl: mount, 2 clamps, 1 plug)		EA
14	1166230	1	Double-sided Fork Mount Assembly (incl: mount, 2 clamps, 2 plug)		EA
15	1166474	1	Brake lever		EA
	1166330	1	Shifter Lever Red Right, 10 speed		EA
16	1146014	1	Cable and Housing, for Parking Brake		EA
	1146015	1	Cable and Housing, for Hand Brake		EA
	1146016	1	Cable and Housing for Shifter (indicate shifter type)		EA
	1156685	1	Chain, Hollow Pin, SRAM (includes 2 packages)		EA



**Force R: Fix Fork Weldment**

Date:	PO# / Customer#	Ship to <input type="checkbox"/> Customer <input type="checkbox"/> Provider	
Provider: _____	Account # _____	Customer: _____	Top End Sales Order: _____
Phone: _____	Fax: _____	Phone: _____	Serial #: _____



ITEM	PART NUMBER	PER BIKE	DESCRIPTION	QTY.	
1	1166316	1	Cable Driven Upper Derailleur Fork, Aero/Narrow, Top End BB, Color:_____, Serial #_____		EA
	1166351	1	Cable Driven Upper Derailleur Fork, Wide, Top End BB, Color:_____, Serial #_____		EA
	1166352	1	Cable Driven Upper Derailleur Fork, Wide w/Disc Brake, Top End BB, Color:_____, Serial #_____		EA
2	1166353	1	Manual Lever Derailleur Fork, Aero/Narrow, w/Bicycle BB, Color:_____, Serial #_____		EA
	1166354	1	Manual Lever Derailleur Fork, Wide, w/Bicycle BB, Color:_____, Serial #_____		EA
	1166355	1	Manual Lever Derailleur Fork, Wide w/Disc Brake, w/Bicycle BB, Color:_____, Serial #_____		EA

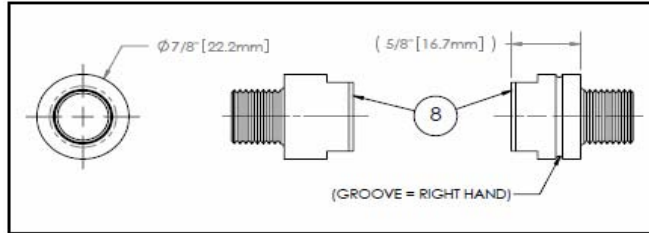
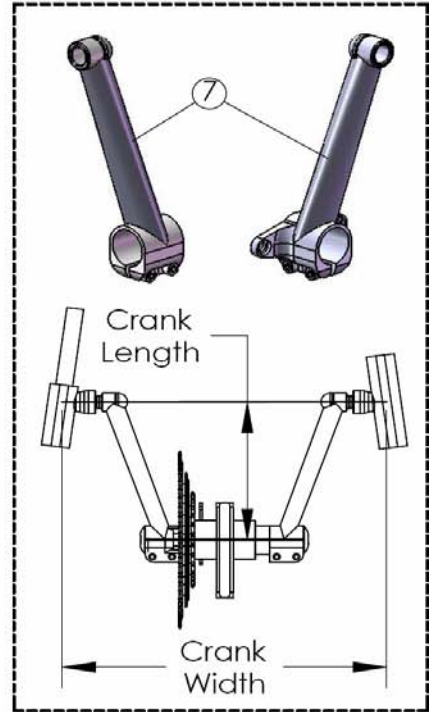
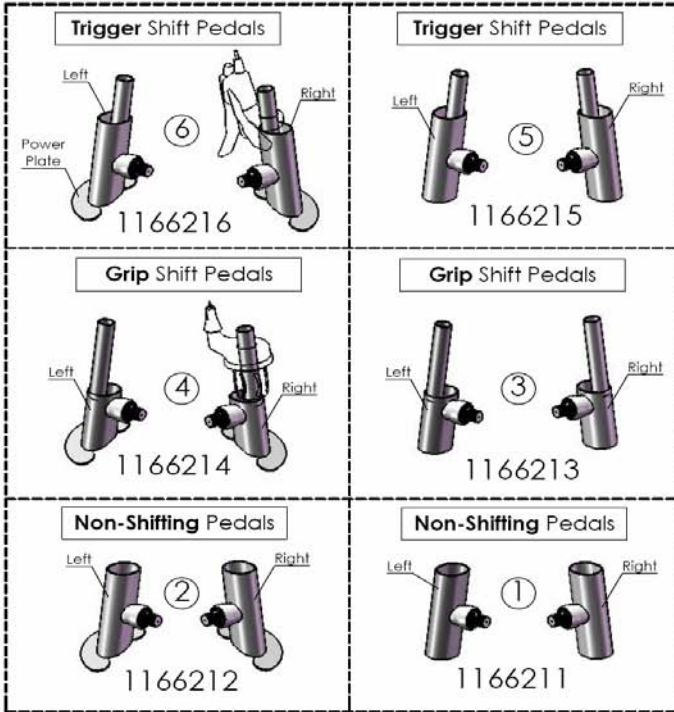
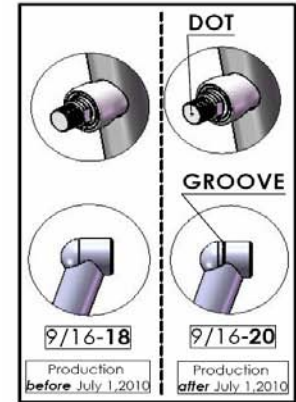
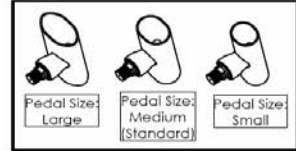
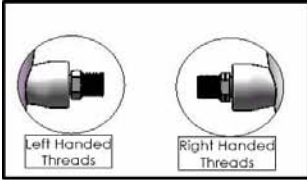


**Force R: Pedals and Arms**

Date: \_\_\_\_\_ PO# / Customer# \_\_\_\_\_ Ship to  Customer  Provider \_\_\_\_\_

Provider: \_\_\_\_\_ Account # \_\_\_\_\_ Customer: \_\_\_\_\_ Top End Sales Order: \_\_\_\_\_

Phone: \_\_\_\_\_ Fax: \_\_\_\_\_ Phone: \_\_\_\_\_ Serial #: \_\_\_\_\_



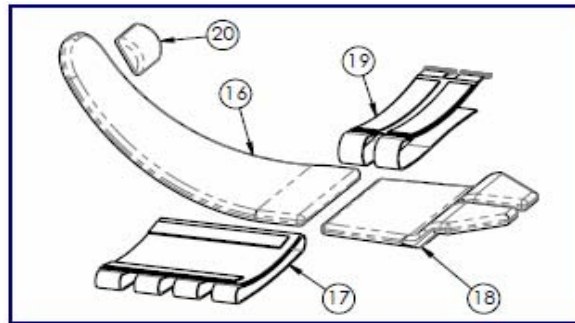
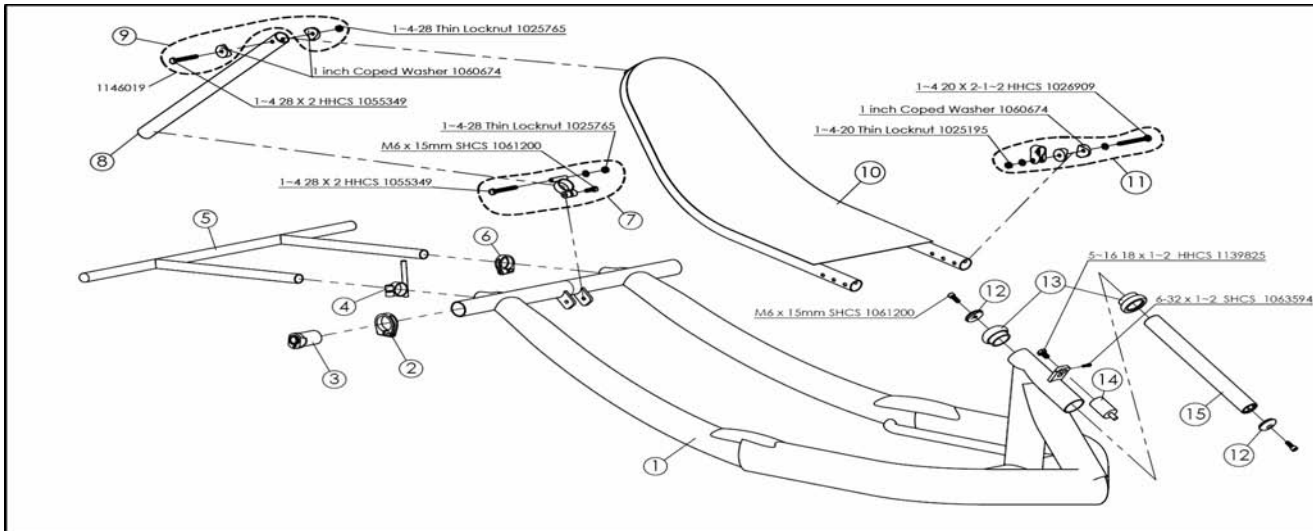
ITEM	PART NUMBER	PER BIKE	Pedals and Cranks <i>after</i> July 19, 2010				QTY.	
Produced <i>after</i> July 19,2010 (Dot? YES)			Pedal Size	Bike Serial #	R or L	Dot?		
1	1166211	1	Handpedal, <b>Non-Shifting</b>	<input type="checkbox"/> Lg <input type="checkbox"/> Med <input type="checkbox"/> Sm		<input type="checkbox"/> R <input type="checkbox"/> L	Yes	EA
2	1166212	1	Handpedal w/ Power Plate, <b>Non-Shifting</b>	<input type="checkbox"/> Lg <input type="checkbox"/> Med <input type="checkbox"/> Sm		<input type="checkbox"/> R <input type="checkbox"/> L	Yes	EA
3	1166213	1	Handpedal, <b>Grip Shift</b>	<input type="checkbox"/> Lg <input type="checkbox"/> Med <input type="checkbox"/> Sm		<input type="checkbox"/> R <input type="checkbox"/> L	Yes	EA
4	1166214	1	Handpedal w/ Power Plate, <b>Grip Shifting</b>	<input type="checkbox"/> Lg <input type="checkbox"/> Med <input type="checkbox"/> Sm		<input type="checkbox"/> R <input type="checkbox"/> L	Yes	EA
5	1166215	1	Handpedal, <b>Trigger Shift</b>	<input type="checkbox"/> Lg <input type="checkbox"/> Med <input type="checkbox"/> Sm		<input type="checkbox"/> R <input type="checkbox"/> L	Yes	EA
6	1166216	1	Handpedal w/ Power Plate, <b>Trigger Shift</b>	<input type="checkbox"/> Lg <input type="checkbox"/> Med <input type="checkbox"/> Sm		<input type="checkbox"/> R <input type="checkbox"/> L	Yes	EA
Produced <i>after</i> July 19,2010 (Groove? YES)			Bike Serial #	Crank Length (mm)	Crank Width (in)	Groove?		
7	1166217	1	Crank Arm Set	<input type="checkbox"/> 155 <input type="checkbox"/> 160 <input type="checkbox"/> 165 <input type="checkbox"/> 170 <input type="checkbox"/> 175 <input type="checkbox"/> 180 <input type="checkbox"/> 185 <input type="checkbox"/> 190	<input type="checkbox"/> 12 <input type="checkbox"/> 13 <input type="checkbox"/> 14 <input type="checkbox"/> 15 <input type="checkbox"/> 16	Yes	PR	
8	1166516	1	Crank Width Extension Set, Adapter (Increase Overall Width by 1-1/4")					PR

ITEM	PART NUMBER	PER BIKE	Pedals and Cranks <i>before</i> July 19, 2010				QTY.	
Produced <i>before</i> July 19,2010 (Dot? NO)			Pedal Size	Bike Serial #	Shifter Type	R or L	Dot?	
	1153043	1	Handpedal w/ post		<input type="checkbox"/> Grip <input type="checkbox"/> Trigger	<input type="checkbox"/> R <input type="checkbox"/> L	No	EA
	1153044	1	Handpedal		XXXXXXXXXX	<input type="checkbox"/> R <input type="checkbox"/> L	No	EA
	1153105	1	Handpedal w/ Power Plate, Shifter Post		<input type="checkbox"/> Grip <input type="checkbox"/> Trigger	<input type="checkbox"/> R <input type="checkbox"/> L	No	EA
	1153106	1	Handpedal w/ Power Plate		XXXXXXXXXX	<input type="checkbox"/> R <input type="checkbox"/> L	No	EA
Produced <i>before</i> July 19,2010 (Groove? NO)			Bike Serial #	Crank Length (mm)	Crank Width (in)	Groove?		
	1153046	1	Crank Arm Set	<input type="checkbox"/> 165 <input type="checkbox"/> 170 <input type="checkbox"/> 175 <input type="checkbox"/> 180 <input type="checkbox"/> 185 <input type="checkbox"/> 190	<input type="checkbox"/> 12 <input type="checkbox"/> 13 <input type="checkbox"/> 14 <input type="checkbox"/> 15 <input type="checkbox"/> 16	No	PR	



# Force R: Frame Assembly

Date:	PO# / Customer#	Ship to <input type="checkbox"/> Customer <input type="checkbox"/> Provider
Provider: _____	Account # _____	Customer: _____
Phone: _____	Fax: _____	Top End Sales Order: _____
		Serial #: _____

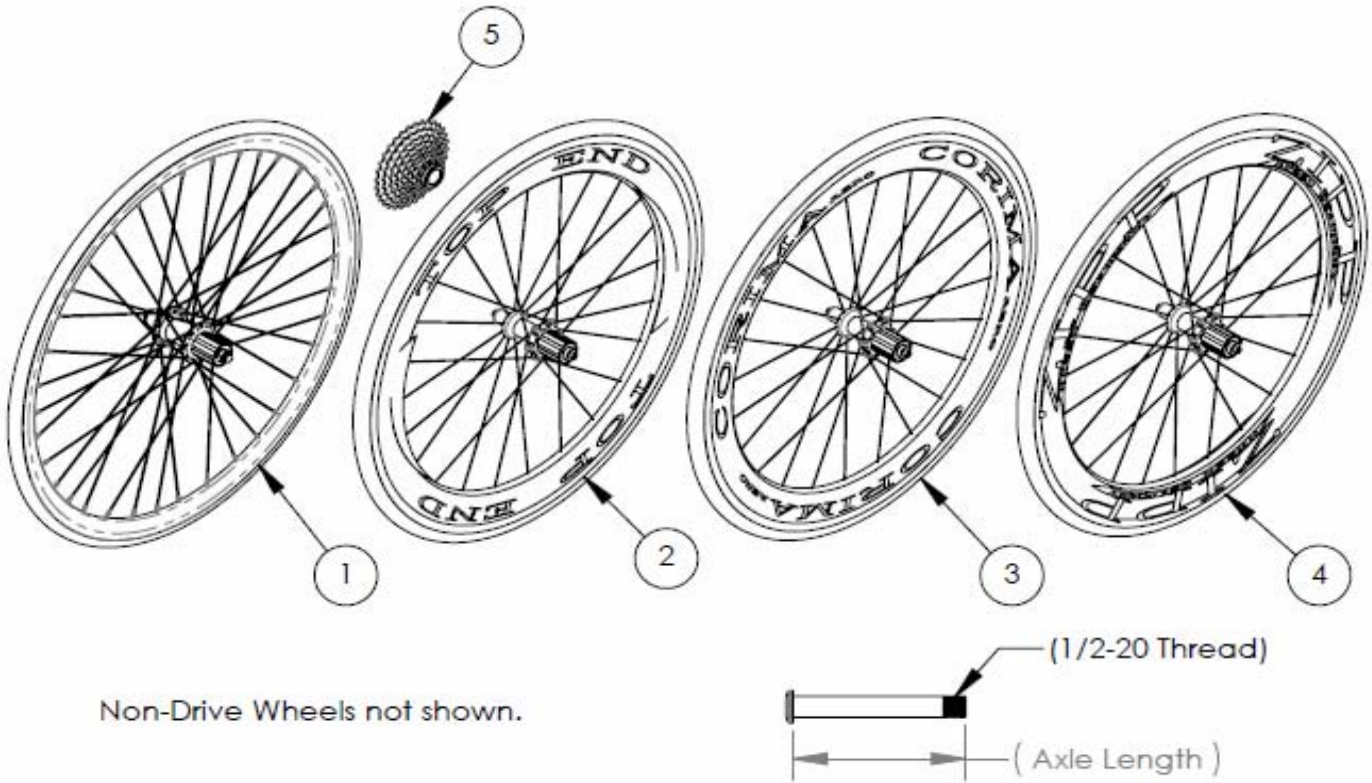


ITEM	PART NUMBER	PER BIKE	DESCRIPTION		QTY.	
1	1153047	1	Frame, Force R	Serial # Required: (Frames after 5/2010)	-Seat Width: <input type="checkbox"/> 13" <input type="checkbox"/> 14" <input type="checkbox"/> 15" <input type="checkbox"/> 16" <input type="checkbox"/> 17" <input type="checkbox"/> 18" -Wheel Base: <input type="checkbox"/> 60" <input type="checkbox"/> 62"	EA
2	1166473	2	Clamp, 1-1/4" Alloy, single screw		EA	
3	1166228	2	Camber Insert, for 1-1/4" Dia. Cambertube: <input type="checkbox"/> 0degree <input type="checkbox"/> 3degree <input type="checkbox"/> 6degree		EA	
4	1156741	1	Safety flag holder		EA	
5	1146002	1	Drafting Bumper (includes 2 plugs)		EA	
	1139803	2	Plug, 3/4" Black Dome		EA	
6	1139810	2	Clamp, 1" Alloy, single screw		EA	
7	1153145	1	Pivot Clamp with hardware		EA	
8	1153196	1	Adjustable Back Support Tube		EA	
9	1166226	1	Hardware, Upper Adjustable Back Support Tube		EA	
10	1153049	1	Backrest, Force R	Serial # Required:	Seat Width: <input type="checkbox"/> 13" <input type="checkbox"/> 14" <input type="checkbox"/> 15" <input type="checkbox"/> 16" <input type="checkbox"/> 17" <input type="checkbox"/> 18"	EA
11	1153050	2	Hardware, Lower Backrest		PR	
12	1145951	2	Cap, with Screw M6 x 15 mm		EA	
13	1166475	1	Headset, 1-1/8" Bushing and Bearing		EA	
14	1146018	1	Dampner (with hardware)		EA	
15	1166512	1	Headset Shaft Assembly (10-3/8" Long) Includes 2 Star Nuts		EA	
16	1153053	1	Back Cushion, Black Mesh	-Seat Width: <input type="checkbox"/> 13" <input type="checkbox"/> 14" <input type="checkbox"/> 15" <input type="checkbox"/> 16" <input type="checkbox"/> 17" <input type="checkbox"/> 18"	EA	
17	1166522	1	Seat Upholstery, Black Mesh	-Seat Width: <input type="checkbox"/> 13" <input type="checkbox"/> 14" <input type="checkbox"/> 15" <input type="checkbox"/> 16" <input type="checkbox"/> 17" <input type="checkbox"/> 18"	EA	
18	1153054	1	Seat Cusion, Black Mesh	-Seat Width: <input type="checkbox"/> 13" <input type="checkbox"/> 14" <input type="checkbox"/> 15" <input type="checkbox"/> 16" <input type="checkbox"/> 17" <input type="checkbox"/> 18"	EA	
19	1153156	1	Positioning Strap, Force R	-Seat Width: <input type="checkbox"/> 13" <input type="checkbox"/> 14" <input type="checkbox"/> 15" <input type="checkbox"/> 16" <input type="checkbox"/> 17" <input type="checkbox"/> 18"	EA	
20	1166521	1	Headrest Cushion, Black Mesh		EA	



**Force R: Wheels Assembly**

Date:	PO# / Customer#	Ship to <input type="checkbox"/> Customer <input type="checkbox"/> Provider
Provider: _____	Account # _____	Customer: _____
Phone: _____	Fax: _____	Phone: _____
		Top End Sales Order: _____
		Serial #: _____



Non-Drive Wheels not shown.

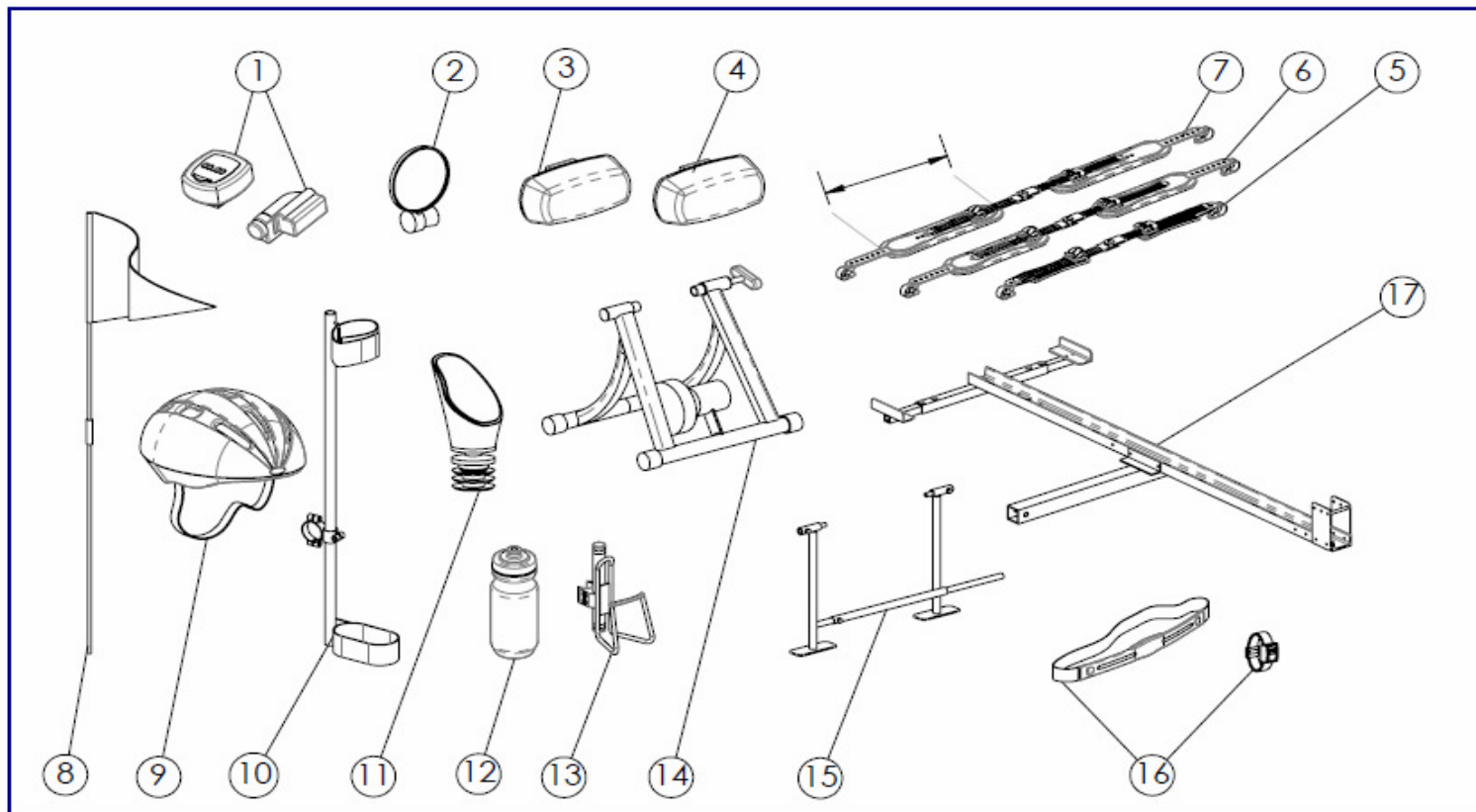
ITEM	PART NUMBER	PER BIKE	DESCRIPTION	QTY.
1	1156776	1	26 In. (571) High Performance Front Wheel (Drive), (Clincher Only) Alex Black Spoke	EA
	1156736	2	26 In. (571) High Performance Front Wheel (Drive), (Clincher Only) Alex Black Spoke, Disk Brake Compatible	EA
	1156778	2	26 In. (571) High Performance Rear Wheel (Non-Drive), (Clincher Only) Alex Black Spoke (Axle not Included)	EA
	1166462	2	Threaded Axle, Standard Non-Drive (3.3") Alex	EA
2	1166260	1	26 In. (571) Top End Carbon Fiber Front Wheel (Drive), Tubular	EA
	1166261	2	26 In. (571) Top End Carbon Fiber Rear Wheel (Non-Drive), Tubular (Axle not Included)	EA
	1166246	2	Threaded Axle, Carbon Fiber Non-Drive (4.3")	EA
3	1156724	1	26 In. (571) Corima AERO, Front wheel assembly, (Tubular Only)	EA
	1156771	2	26 In. (571) Corima AERO Front wheel assembly, Disc brake Compatible (Tubular Only)	EA
	1156725	2	26 In. (571) Corima AERO w/threaded axle, Rear wheel assembly, (Tubular Only) Built in Axle	EA
4	1146009	1	26 In. (571) 404 Zipp Front Wheel (Drive), <input type="checkbox"/> Tubular <input type="checkbox"/> Clincher	EA
	1146010	2	26 In. (571) 404 Zipp Rear Wheel (Non-Drive) with Axle <input type="checkbox"/> Tubular <input type="checkbox"/> Clincher <input type="checkbox"/> Special Order	EA
	1059495	1	Threaded Axle Kit, 404 Zipp Non-drive), <input type="checkbox"/> Before Feb 2011 <input type="checkbox"/> After Feb 2011	PR
5	1156688	1	SRAM Cassette, 11-23	EA
	1156689	1	SRAM Cassette, 11-26	EA
	1156711	1	SRAM Cassette, 11-34 (Standard)	EA
	1060149	3	Tire 26" Hi-Performance Clincher	EA
	1156680	3	Tire, 26" Continental Grand Prix 4000 clincher	EA
	1060160	3	Tube 26" (Hi-Performance), Standard Stem	EA
	1139820	3	Tube 26" (Hi-Performance), Long Stem ( Zipp only)	EA
	1061213	3	26 In. Rim Strip	EA
	RACE36	3	Tire, Tubular Tufo S3 Lite	EA
	RACE31	3	Tire, Tubular Tufo Jet Special	EA
	1166472	3	Tire, 26" Continental Sprinter, Tubular	EA

2.6



# Force Accessories

Date:	PO# / Customer#	Ship to <input type="checkbox"/> Customer <input type="checkbox"/> Provider
Provider: _____	Account # _____	Customer: _____
Phone: _____	Fax: _____	Phone: _____
		Top End Sales Order: _____
		Serial #: _____



ITEM	PART NUMBER	PER BIKE	DESCRIPTION	QTY.
1	1056875	1	Cordless Computer	EA
2	1068722	1	Mirror, Footrest Mount	EA
3	1068721	1	Front Safety Light (clear)	EA
4	1060841	1	Rear Safety Light (red)	EA
5	1152963	1	Click Strap Set, 8" (small)	EA
6	1152964	1	Click Strap Set 10" (medium)	EA
7	1152965	1	Click Strap Set 12" (large)	EA
8	1060642	1	Safety flag (not included Mounting Hardware) see page 5 for hardware.	EA
9	1060639	1	Helmet: <input type="checkbox"/> Small <input type="checkbox"/> Medium <input type="checkbox"/> Large	EA
10	1068723	1	Crutch Holder, Indicated Bike Model and serial #)	EA
11	1153045	1	Mirror, Handle Mount	EA
12	1166517	1	Water Bottle	EA
13	1068718	1	Water Bottle, Cage and Hardware ( Indicated Bike Model)	PR
14	1116580	1	Indoor Training Roller	EA
15	1109717	1	Alignment Guage	EA
16	1139799	1	Heart Monitor (Chest Strap and Watch)	EA
17	1068771	1	Bike Rack for trailer hitch Receiver Size: <input type="checkbox"/> 1-1/4" (std) <input type="checkbox"/> 2"	EA
	1065268	1	Leg Guard Attachment	EA
	1060798	1	Backpack Hydration System	EA
	1166518	1	Tool and Tire Repair Kit	EA
	RACE4	1	Wheel Bag	EA
	RACE20	1	Handcycle Travel Bag	EA
	RACE13	1	Top End Bike Jersey <input type="checkbox"/> L <input type="checkbox"/> XL	EA
	RACE22	1	Top End T-Shirt <input type="checkbox"/> L <input type="checkbox"/> XL	EA