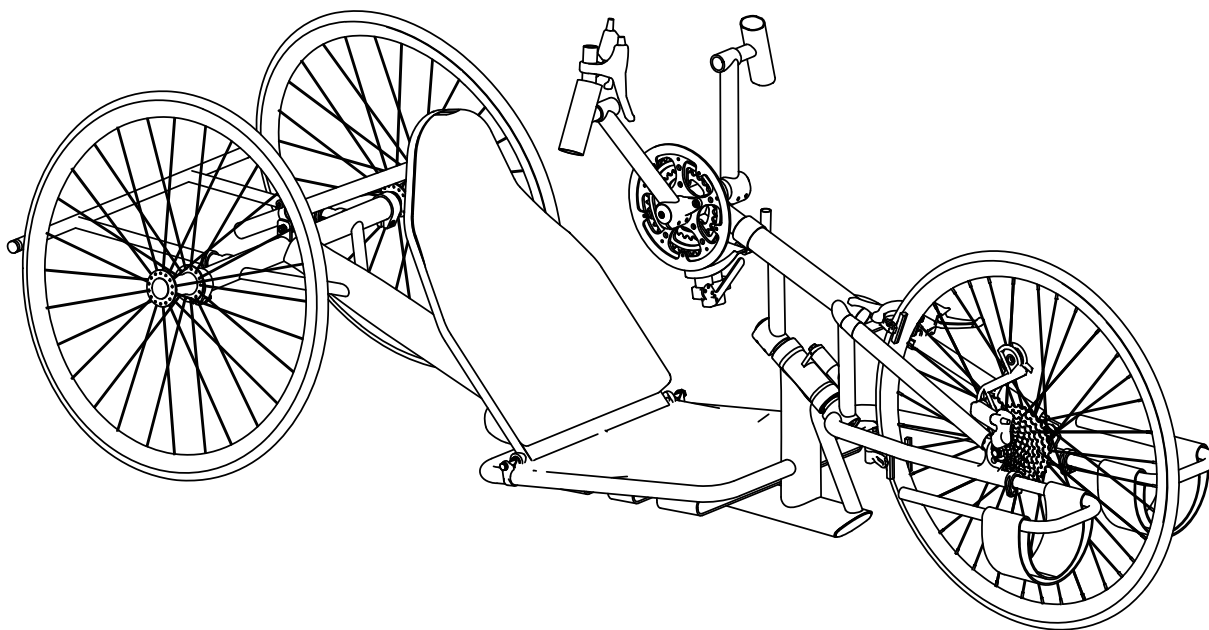




Sports and Recreation Products
4501 63rd Circle North
Pinellas Park, FL 33781
(800) 532-8677 (727) 522-8677
Fax: (727)522-1007

Invacare Top End Parts Catalog Force





Sports and Recreation Products
 4501 63rd Circle North
 Pinellas Park, FL 33781
 (800) 532-8677 (727) 522-8677
 Fax: (727)522-1007

Parts Order Diagram

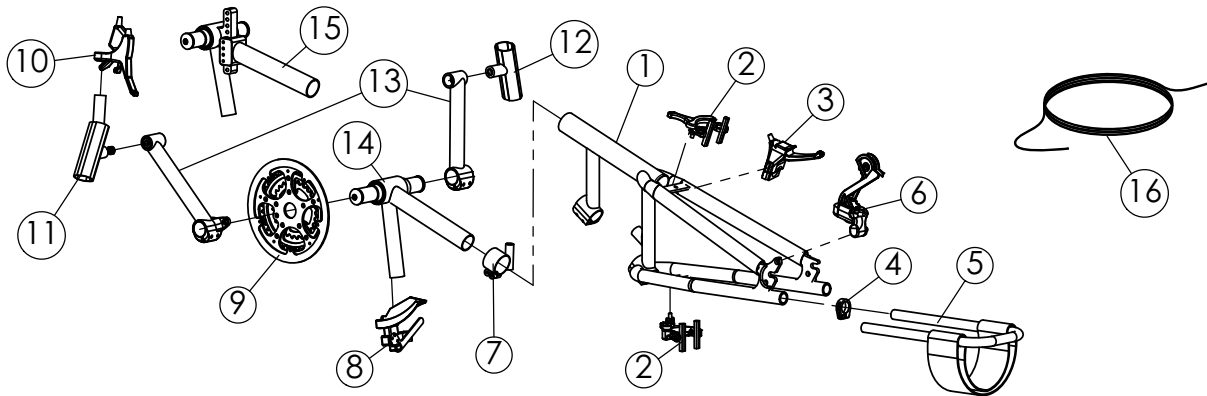
Force

Fork Assembly

Date: _____ P.O./Customer#: _____ Ship to Customer Provider Part Tracking#: _____
(TOP END Use Only)

Provider _____	Acct# _____
Address _____	Suite _____
City _____	State _____ Zip _____
Work Phone (_____) _____	Fax _____
Cell Phone (_____) _____	
E-mail _____	

Customer _____
Address _____ Apt. _____
City _____ State _____ Zip _____
Home Phone (_____) _____
Cell Phone (_____) _____
E-mail _____



ITEM NO.	PART NUMBER	PER BIKE	DESCRIPTION		ORDER QTY
1	1145998	1	Fork, Force (includes: (4) bolts)		EA
2	1139809	2	Brake caliper for High-Performance tire, 27 spd		EA
	1156686	1	Brake Caliper, Cane Creek with Titanium Hardware		EA
3	1060291	1	Parking Brake Lever		EA
4	1139810	2	Clamp, 1", Single bolt		EA
5	1146012	2	Handcycle Leg Support (3/4") w/ Strap	<input type="checkbox"/> Right <input type="checkbox"/> Left	EA
6	1054246	1	Front Wheel Derailleur		EA
7	1146020	1	Clamp / Cable Guide with hardware (includes: (2) bolts)		EA
8	1139745	1	Manual Derailleur Assembly (includes: (1) derailleur, (1) lever, and hardware)		EA
9	1127941	1	Chainring Assembly, 48-40-28		EA
	1139806	1	Chainring Assembly, 53-40		EA
10	1116536	1	RapidFire shifter RH, 27SPD		EA
	1156682	1	SRAM Grip Shifter		EA
	1156683	1	SRAM Trigger Shifter		EA
	1156684	1	Brake Lever, Paul Component		EA
11	1127905	1	Handpedal, Right w/ RapidFire mount post	Power Plates: <input type="checkbox"/> Yes <input type="checkbox"/> No	EA
12	1127936	1	Handpedal, (w/o mount post)	Power Plates: <input type="checkbox"/> Yes <input type="checkbox"/> No <input type="checkbox"/> Rt <input type="checkbox"/> Lt	EA
	1127906	1	Handpedal, Left w/ RapidFire mount post	Power Plates: <input type="checkbox"/> Yes <input type="checkbox"/> No	EA
	1109795	4	Bearing, Handpedal (7/8"x3/8"x9/32")		EA
13	1127943	1	V Crank Arm Assembly	Length (mm): <input type="checkbox"/> 170 <input type="checkbox"/> 180 <input type="checkbox"/> 190 <input type="checkbox"/> 200 Width (in): <input type="checkbox"/> 18 <input type="checkbox"/> 20 <input type="checkbox"/> 22	EA
14	1153104	1	Crank Assy, Diagonal Adj. only	Shaft Length: <input type="checkbox"/> 6.75 <input type="checkbox"/> 7.25	EA
15	1153055	1	Crank Assy, Diagonal and Vertical Adj.	Shaft Length: <input type="checkbox"/> 6.75 <input type="checkbox"/> 7.25	EA
	1127921	4	Bearing, Crank		EA
16	1146014	1	Cable and Housing, for Parking Brake		EA
	1146015	1	Cable and Housing, for Hand Brake		EA
	1146016	1	Cable and Housing, for Rapidfire Shifter		EA
	1058198	1	Housing, Shifter		EA
	1156685	1	Chain, Hollow Pin, SRAM (includes 2 packages)		EA



Sports and Recreation Products
 4501 63rd Circle North
 Pinellas Park, FL 33781
 (800) 532-8677 (727) 522-8677
 Fax: (727)522-1007

Parts Order Diagram

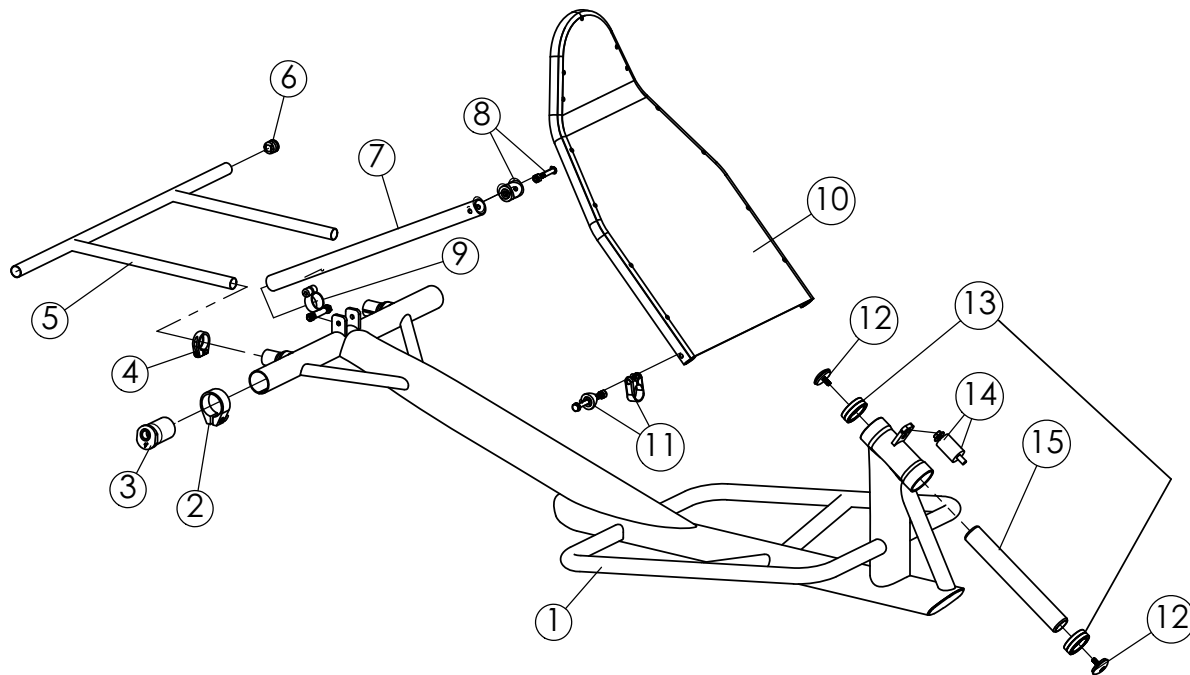
Force

Frame Assembly

Date: _____ P.O./Customer#: _____ Ship to Customer Provider Part Tracking#: _____
(TOP END Use Only)

Provider _____	Acct# _____
Address _____	Suite _____
City _____	State _____ Zip _____
Work Phone (_____) _____	Fax _____
Cell Phone (_____) _____	
E-mail _____	

Customer _____
Address _____ Apt. _____
City _____ State _____ Zip _____
Home Phone (_____) _____
Cell Phone (_____) _____
E-mail _____



ITEM NO.	PART NUMBER	PER BIKE	DESCRIPTION			ORDER QTY
1	1146011	1	Frame, Force	Seat Width: <input type="checkbox"/> 14" <input type="checkbox"/> 15" <input type="checkbox"/> 16" <input type="checkbox"/> 17" <input type="checkbox"/> 18"	Wheel Base: <input type="checkbox"/> 60" (std) <input type="checkbox"/> 57"	EA
2	1060882	2	Camber Clamp (with screw)			EA
3	1061179	2	Camber Insert, Threaded Axle <input type="checkbox"/> 3 degree <input type="checkbox"/> 9 degree			EA
	1068760	2	Camber Insert, Quick Release <input type="checkbox"/> 3 degree <input type="checkbox"/> 9 degree			EA
4	1139810	2	Clamp, 1" Alloy, single screw			EA
5	1146002	1	Draft Bumper			EA
6	1139803	2	Plug, 3/4" Black Dome			EA
7	1145958	1	Tube, Adjustable Back Support			EA
8	1146019	1	Hardware, Adj Back Support (includes (2) bolts, (2) nuts, (2) saddle)			EA
9	1153145	1	Pivot Clamp w/ Hardware (incl. (2) bolts, (1) washer, (1) clamp)			EA
10	1145952	1	Backrest, Force	Seat Width: <input type="checkbox"/> 14" <input type="checkbox"/> 15" <input type="checkbox"/> 16" <input type="checkbox"/> 17" <input type="checkbox"/> 18"		EA
11	1146022	1	Hardware, Backrest (includes (2) bolts, (2) nuts, (2) 1" clamps, (2) saddles)			PR
12	1153051	2	Cap and Screw			EA
13	1153108	1	Bearing Kit Fork (includes: 4 bearings)			EA
14	1146018	1	Dampner with hardware			EA
15	1146023	1	Shaft Assembly, Force Headset			EA



Sports and Recreation Products
 4501 63rd Circle North
 Pinellas Park, FL 33781
 (800) 532-8677 (727) 522-8677
 Fax: (727) 522-1007

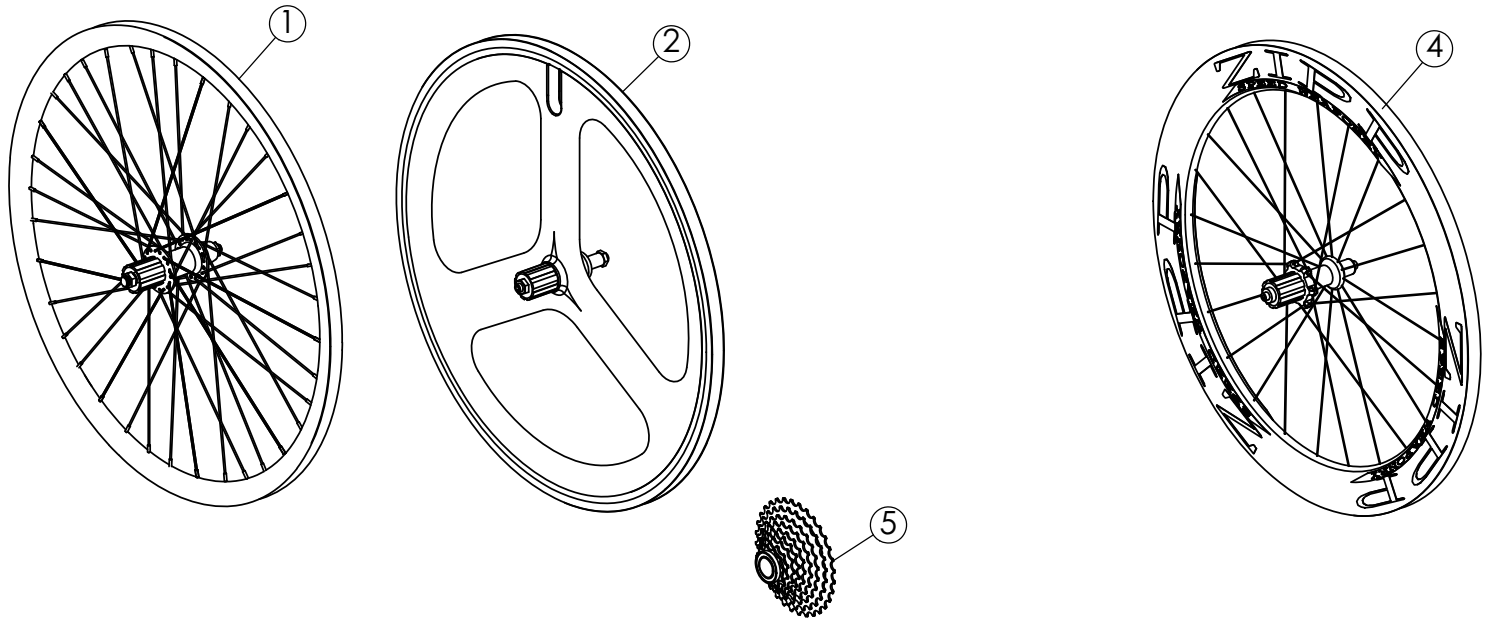
Parts Order Diagram

Force Wheels

Date: _____ P.O./Customer#: _____ Ship to Customer Provider Part Tracking#: _____
(TOP END Use Only)

Provider _____	Acct# _____
Address _____	Suite _____
City _____	State _____ Zip _____
Work Phone (_____) _____	Fax _____
Cell Phone (_____) _____	
E-mail _____	

Customer _____
Address _____ Apt. _____
City _____ State _____ Zip _____
Home Phone (_____) _____
Cell Phone (_____) _____
E-mail _____



Item No	Part No	Description	Tire Style	Quantity	
1	1139801	26 In. (571) High Performance Front Wheel (Drive)	Clincher Only		EA
	1059578	26 In. (571) High Performance Rear Wheel (non-Drive, Quick Release Axle (not included))	Clincher Only		EA
	1059573	26 In. (571) High Performance Rear Wheel (Non-Drive), Threaded Axle	Clincher Only		EA
2	1059529	26 In. (571) Tri-Spoke Carbon Fiber Front Wheel (Drive)	<input type="checkbox"/> Tubular <input type="checkbox"/> Clincher		EA
	1060695	26 In. (571) Tri-Spoke Carbon Fiber Rear Wheel (Non-Drive), Threaded Axle	<input type="checkbox"/> Tubular <input type="checkbox"/> Clincher		EA
	1156724	26 In. (571) Corima AERO Front Wheel (Drive)	Tubular Only		EA
	1156725	26 In. (571) Corima AERO Rear Wheel, Threaded Axle	Tubular Only		EA
4	1146009	26 In. (571) 404 Zipp Front Wheel (Drive)	<input type="checkbox"/> Tubular <input type="checkbox"/> Clincher		EA
	1146010	26 In. (571) 404 Zipp Rear Wheel (Non-Drive), Threaded Axle	<input type="checkbox"/> Tubular <input type="checkbox"/> Clincher		EA
5	1054251	27 Speed Cassette Cluster	XXXXXXX		EA
	1153052	SRAM Cassette, 11-32	XXXXXXX		EA
	1153107	SRAM Cassette, 12-26	XXXXXXX		EA
	1060149	Tire 26" (571) Hi-Performance Clincher	XXXXXXX		EA
	1060160	Tube 26" (571) (Hi-Performance), Standard Stem	XXXXXXX		EA
	1139820	Tube 26" (571) (Hi-Performance), Long Stem (Spinergy & Zipp only)	XXXXXXX		EA
	RACE31	Tire, Tubular Tufo Jet Special	XXXXXXX		EA
	1061213	26 In. Rim Strip	XXXXXXX		EA



Sports and Recreation Products
 4501 63rd Circle North
 Pinellas Park, FL 33781
 (800) 532-8677 (727) 522-8677
 Fax: (727) 522-1007

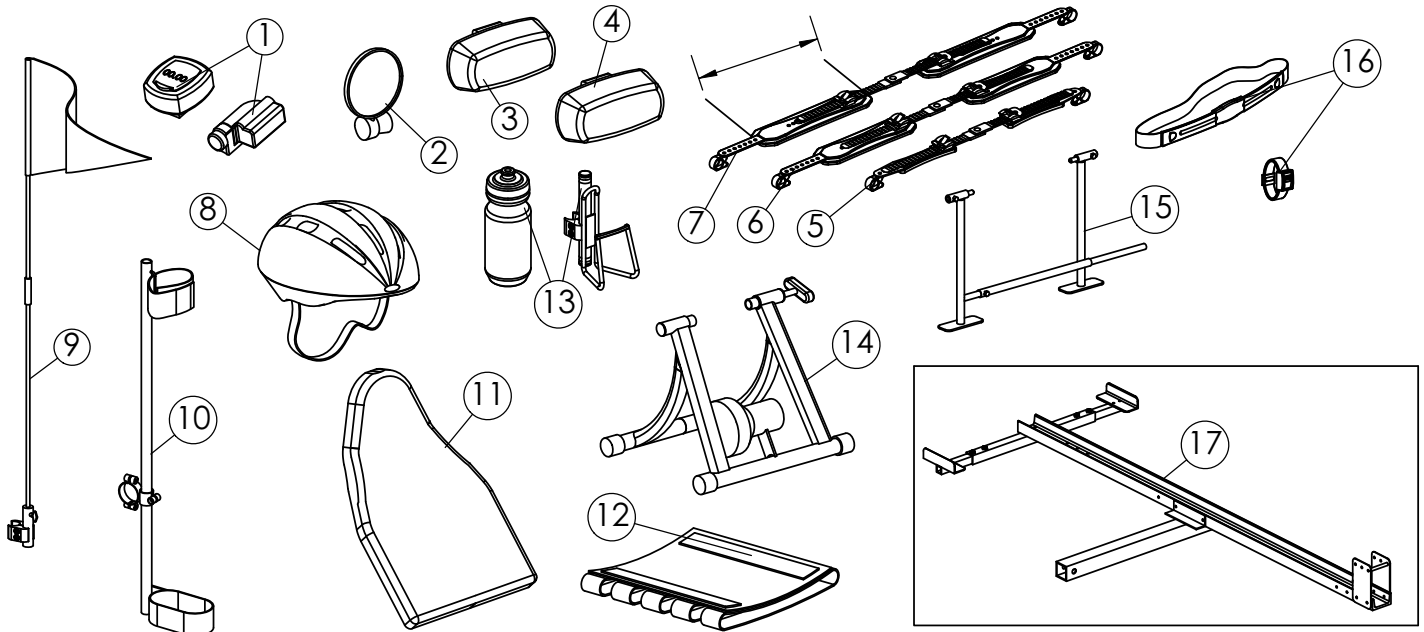
Parts Order Diagram

Force Accessories

Date: _____ P.O./Customer#: _____ Ship to Customer Provider Part Tracking#: _____
(TOP END Use Only)

Provider _____	Acct# _____
Address _____	Suite _____
City _____	State _____ Zip _____
Work Phone (_____) _____	Fax _____
Cell Phone (_____) _____	
E-mail _____	

Customer _____
Address _____ Apt. _____
City _____ State _____ Zip _____
Home Phone (_____) _____
Cell Phone (_____) _____
E-mail _____



ITEM NO.	PART NUMBER	PER CHAIR	DESCRIPTION	ORDER QTY	
1	1056875	1	Cordless Computer		EA
2	1068722	1	Mirror		EA
3	1068721	1	Front Safety Light (clear)		EA
4	1060841	1	Front Safety Light (red)		EA
5	1152963	1	Click Strap Set, 8" (small)		EA
6	1152964	1	Click Strap Set 10" (medium)		EA
7	1152965	1	Click Strap Set 12" (large)		EA
8	1060639	1	Helmet <input type="checkbox"/> Small <input type="checkbox"/> Medium <input type="checkbox"/> Large		EA
9	1063516	1	Safety flag with mounting hardware		EA
10	1068723	1	Crutch Holder		EA
11	1146008	1	Back Cushion	Seat Width: <input type="checkbox"/> 14 <input type="checkbox"/> 15 <input type="checkbox"/> 16 <input type="checkbox"/> 17 <input type="checkbox"/> 18	EA
				<input type="checkbox"/> Black <input type="checkbox"/> Camouflage	
12	1127963	1	Seat Upholstery	Seat Width: <input type="checkbox"/> 14 <input type="checkbox"/> 15 <input type="checkbox"/> 16 <input type="checkbox"/> 17 <input type="checkbox"/> 18	EA
				<input type="checkbox"/> Black <input type="checkbox"/> Camouflage	
	1054272	1	Seat Cushion	Seat Width: <input type="checkbox"/> 14 <input type="checkbox"/> 15 <input type="checkbox"/> 16 <input type="checkbox"/> 17 <input type="checkbox"/> 18	EA
				<input type="checkbox"/> Black <input type="checkbox"/> Camouflage	
13	1068718	1	Water Bottle & Cage		EA
14	1116580	1	Indoor Training Roller		EA
15	1109717	1	Alignment Gauge		EA
16	1139799	1	Heart Monitor (Chest Strap and Watch)		EA
17	1068771	1	Bike Rack for trailer hitch <input type="checkbox"/> 1-1/4" (std) <input type="checkbox"/> 2"		EA