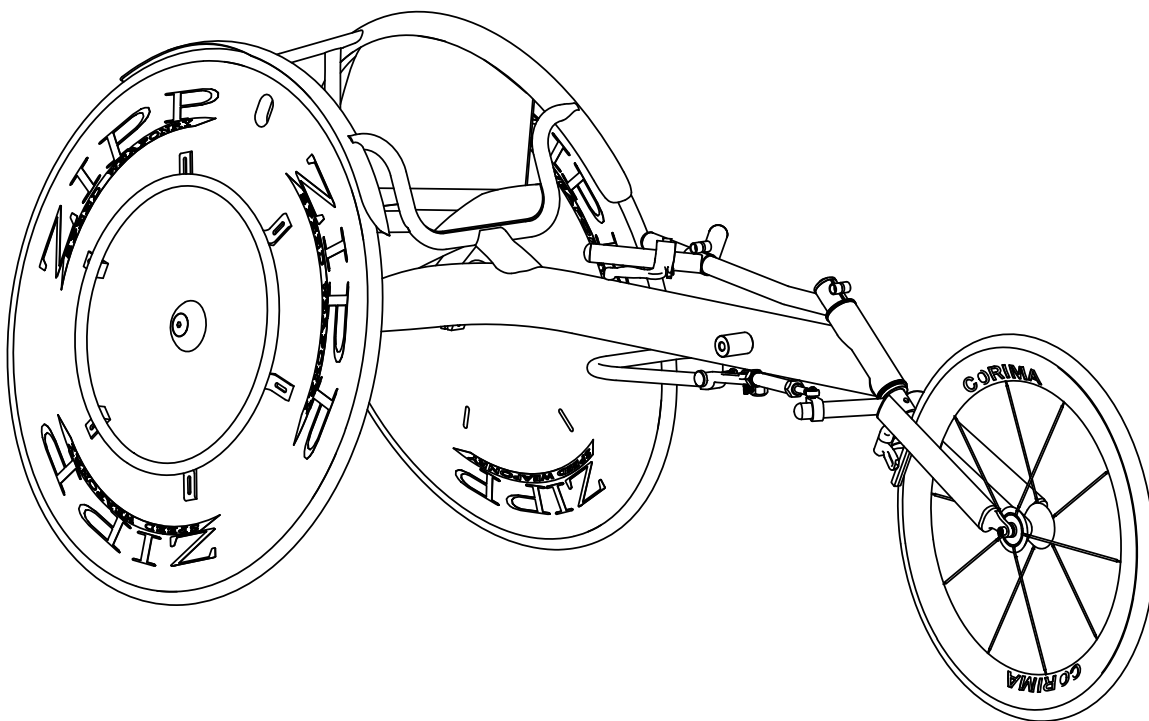




Sports and Recreation Products
4501 63rd Circle North
Pinellas Park, FL 33781
(800) 532-8677 (727) 522-8677
Fax: (727)522-1007

Invacare Top End Parts Catalog Eliminator Eliminator OSR



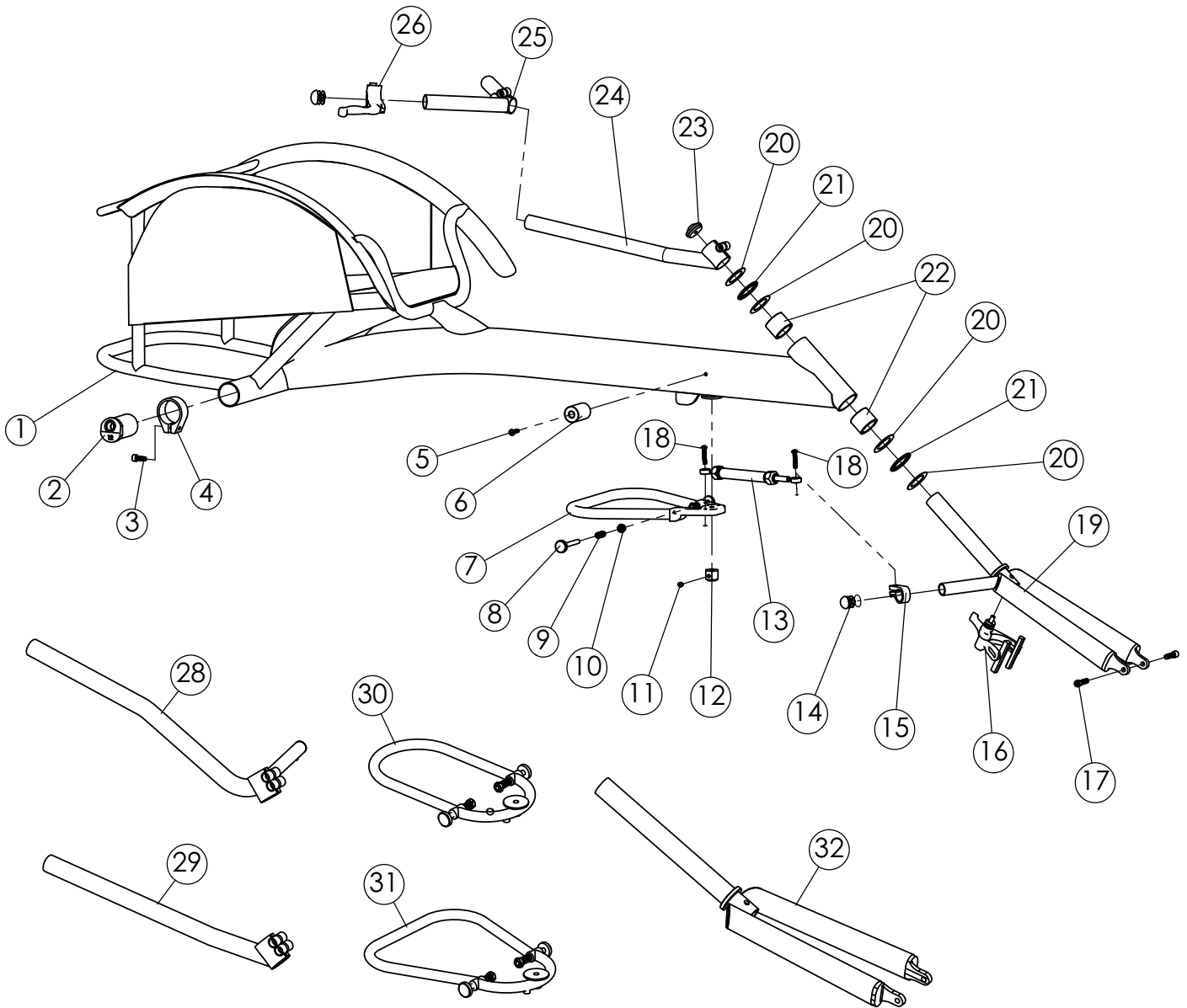
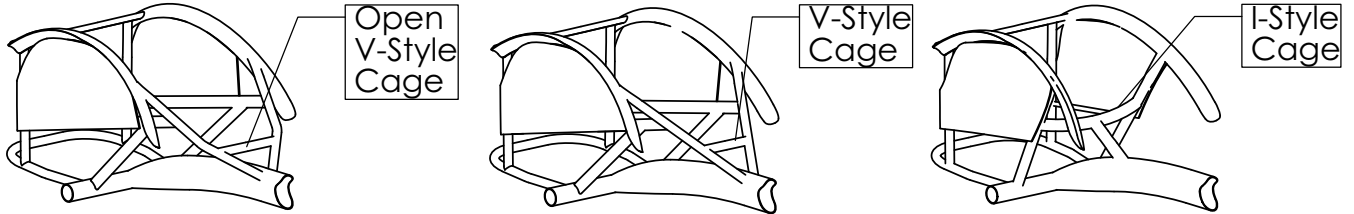


Sports and Recreation Products
 4501 63rd Circle North
 Pinellas Park, FL 33781
 (800) 532-8677 (727) 522-8677
 Fax: (727) 522-1007

Parts Order Diagram

Eliminator

Frame / Parts





Sports and Recreation Products
 4501 63rd Circle North
 Pinellas Park, FL 33781
 (800 532-8677 (727) 522-8677
 Fax: (727)522-1007

Parts Order Diagram

Eliminator

Frame / Parts

Date: _____ P.O./Customer#: _____ Ship to Customer Provider Part Tracking#: _____ (TOP END Use Only)

Provider _____	Acct# _____
Address _____	Suite _____
City _____	State _____ Zip _____
Work Phone (_____) _____	Fax _____
Cell Phone (_____) _____	
E-mail _____	

Customer _____
Address _____ Apt. _____
City _____ State _____ Zip _____
Home Phone (_____) _____
Cell Phone (_____) _____
E-mail _____

Item No.	Part Number	Per Unit	Description	Order Qty	
1	1146065	1	Top End Eliminator OSR Racing Frame Only: Send new complete chair order form		EA
			Orig. Serial #		
2	1068760	2	Bushing, 12 Degrees Camber		EA
3	1061200	2	Screw M6 x 16mm Long Socket Head Cap Screw		EA
4	1116530	2	Camber Clamp		EA
5	1139749	1	Screw 10-32 x 3/4" Long, Button Head Cap Screw		EA
6	1060689	1	Computer Mount		EA
7	1146066	1	Aluminum Track Control Steering Mechanism		EA
8	1060971	2	Thumb Screw		EA
9	1139764	2	1" Spring Track Steering Mechanism		EA
10	1025736	2	Locknut (thin) 1/4-20		EA
11	1054011	1	Set Screw , 1/4-20 x 1/4" Long		EA
12	1068789	1	Track Compensator Nut		EA
13	1059441	1	Compensator Cylinder		EA
14	1139803	1	3/4" ball head plastic plug, black		EA
15	1142840	1	Compensator Clamp		EA
16	1060208	1	Caliper Brake		EA
17	1027268	2	Screw , 1/4-20 x 1" Long Socket Head Cap Screw		EA
18	1056767	2	Screw , 10-32 x 1" Long Button Head Cap Screw		EA
19	1060915	1	Fork, Bottom Steering		EA
20	1060268	4	Bearing Washer		EA
21	1060267	2	Thrust Bearing		EA
22	1060269	2	Bushing, Headtube		EA
23	1061224	1	Fork Cap, Small		EA
24	1146067	1	Steering Handle		EA
25	1146068	1	Steering V		EA
26	1060209	1	Brake Handle		EA
27	1139804	2	7/8" ball head plastic plug, black		EA
28	1146069	1	Steering Handle, Titanium (Top Steer)		EA
29	1146070	1	Steering Handle, Titanium (Bottom Steer)		EA
30	1146071	1	Titanium Oval Track Control Steering Mechanism		EA
31	1146072	1	Titanium Triangle Track Control Steering Mechanism		EA
32	1146073	1	Fork, Top Steering		EA
	1063587	1	Brake Kit Complete		EA
	1058197	1	Brake Cable		EA
	1058198	1	Brake Cable Housing		EA
	1152977	1	Steering V, Titanium		EA



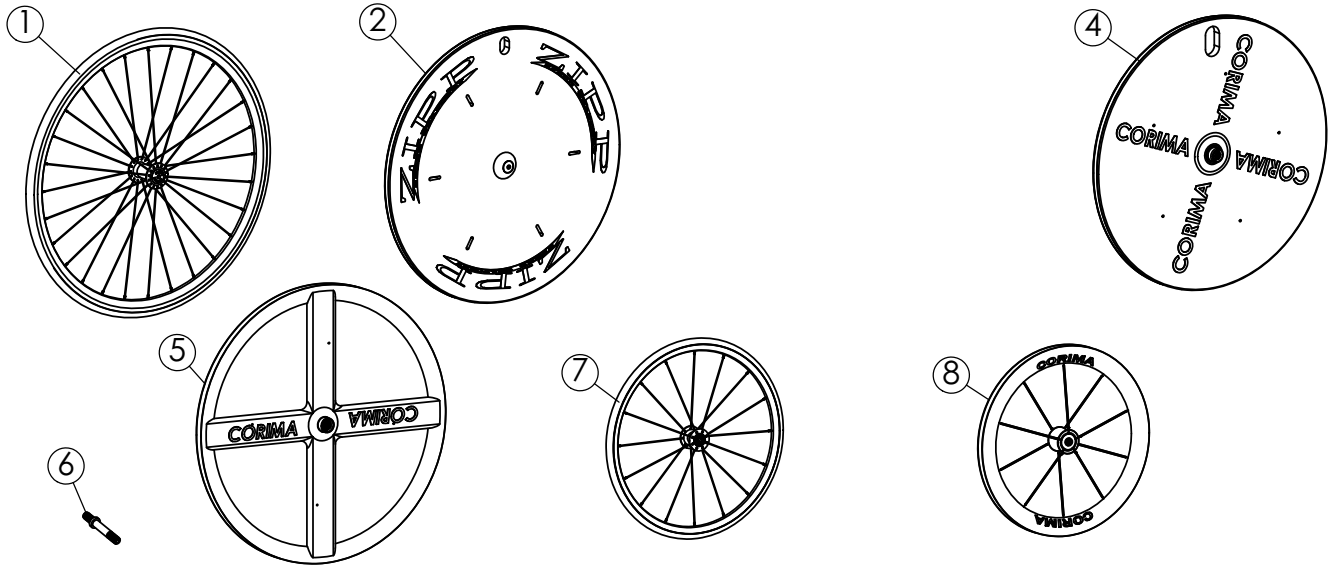
Sports and Recreation Products
 4501 63rd Circle North
 Pinellas Park, FL 33781
 (800) 532-8677 (727) 522-8677
 Fax: (727) 522-1007

Parts Order Diagram Eliminator Wheels / Tires

Date: _____ P.O./Customer#: _____ Ship to Customer Provider Part Tracking#: _____
(TOP END Use Only)

Provider _____	Acct# _____
Address _____	Suite _____
City _____	State _____ Zip _____
Work Phone (_____) _____	Fax _____
Cell Phone (_____) _____	
E-mail _____	

Customer _____
Address _____ Apt. _____
City _____ State _____ Zip _____
Home Phone (_____) _____
Cell Phone (_____) _____
E-mail _____



Item No	Part No	Description	Tire Type / Other		Order Qty
1	1061162	27 In. (700c) 28 Spoke Wheel	Clincher		EA
	1060926	27 In. (700c) 28 Spoke Wheel	Tubular		EA
2	Race65	27 In. (700c) Zipp Carbon Fiber Disc	Tubular		EA
					EA
4	Race64	27 In. (700c) Corima Carbon Fiber Disc	Tubular	<input type="checkbox"/> Right <input type="checkbox"/> Left	EA
5	Race62	27 In. (700c) Corima Carbon Fiber 4 Spoke	Tubular	<input type="checkbox"/> Right <input type="checkbox"/> Left	EA
6	1060811	1/2" Threaded Axle, for Corima Wheels	XXXXXXXXXXXX		EA
	1059400	700c Clincher Tire	XXXXXXXXXXXX		EA
	1060161	700c Clincher Tube	XXXXXXXXXXXX		EA
	Race9	700c Tubular Tire Panaracer Rapide	XXXXXXXXXXXX		EA
	Race32	700c Tufo Jet Special Tubular Tire (230g)	XXXXXXXXXXXX		EA
	Race33	700c Tufo S3 Lite Tubular Tire (145g)	XXXXXXXXXXXX		EA
	Race34	700c Tufo S3 Lite Tubular Tire (165g)	XXXXXXXXXXXX		EA
7	1060925	20 In. Front Wheel	XXXXXXXXXXXX		EA
8	Race60	20 In. Corima Carbon Fiber Front Wheel	XXXXXXXXXXXX		EA
	Race7	Tire, 20 In. Front Tubular Panaracer Rapide	XXXXXXXXXXXX		EA
	Race30	Tire, 20 In. Front Tubular Tufo S3 Lite (100g)	XXXXXXXXXXXX		EA



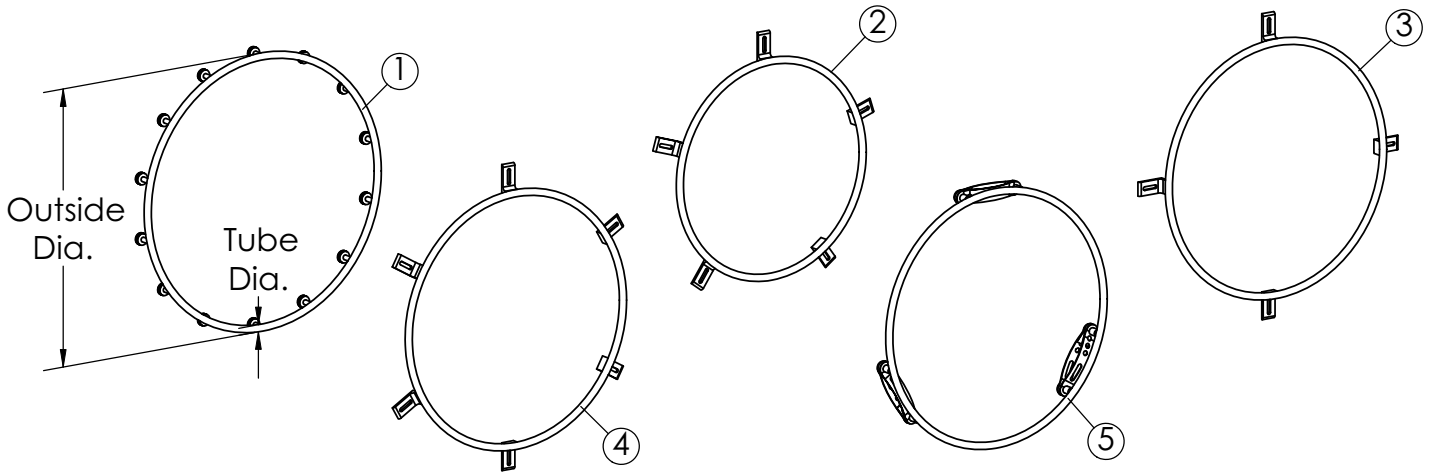
Sports and Recreation Products
 4501 63rd Circle North
 Pinellas Park, FL 33781
 (800) 532-8677 (727) 522-8677
 Fax: (727) 522-1007

Parts Order Diagram Eliminator Handrims

Date: _____ P.O./Customer#: _____ Ship to Customer Provider Part Tracking#: _____
(TOP END Use Only)

Provider _____	Acct# _____
Address _____	Suite _____
City _____	State _____ Zip _____
Work Phone (_____) _____	Fax _____
Cell Phone (_____) _____	
E-mail _____	

Customer _____
Address _____ Apt. _____
City _____ State _____ Zip _____
Home Phone (_____) _____
Cell Phone (_____) _____
E-mail _____



1152975	<input type="checkbox"/> Non-Standard Peg Length (1/2" Standard)	<input type="checkbox"/> 1/4" <input type="checkbox"/> 3/4"	add \$50.00 per handrim
1152976	<input type="checkbox"/> Non-Standard Tube Diameter (3/8" Standard)	<input type="checkbox"/> 1/2"	add \$50.00 per handrim

Item No.	Part No	Description	Outside Diameter (seen above)	Order Qty.
1	1152937	<input type="checkbox"/> Coated Pushrim, 28 Spoke Wheel	<input type="checkbox"/> 13" <input type="checkbox"/> 13-1/2" <input type="checkbox"/> 14" <input type="checkbox"/> 14-1/2" <input type="checkbox"/> 15" <input type="checkbox"/> 15-1/2" <input type="checkbox"/> 16"	
	1152936	<input type="checkbox"/> Taped Pushrim, 28 Spoke Wheel		
	1152935	<input type="checkbox"/> Bare Pushrim, 28 Spoke Wheel		
	1153159	Hardware for 28 Spoke Pushrim		
2	1152940	<input type="checkbox"/> Coated Pushrim, Corima Disc ¹	<input type="checkbox"/> 13" <input type="checkbox"/> 13-1/2" <input type="checkbox"/> 14" <input type="checkbox"/> 14-1/2" <input type="checkbox"/> 15" <input type="checkbox"/> 15-1/2" <input type="checkbox"/> 16"	
	1152939	<input type="checkbox"/> Taped Pushrim, Corima Disc ¹		
	1152938	<input type="checkbox"/> Bare Pushrim, Corima Disc ¹		
	1153160	Hardware for Corima Disc Pushrim		
3	1152966	<input type="checkbox"/> Coated Pushrim, Corima 4 Spoke ¹	<input type="checkbox"/> 13" <input type="checkbox"/> 13-1/2" <input type="checkbox"/> 14" <input type="checkbox"/> 14-1/2" <input type="checkbox"/> 15" <input type="checkbox"/> 15-1/2" <input type="checkbox"/> 16"	
	1152967	<input type="checkbox"/> Taped Pushrim, Corima 4 Spoke ¹		
	1152968	<input type="checkbox"/> Bare Pushrim, Corima 4 Spoke ¹		
	1153161	Hardware for Corima 4 Spoke Pushrim		
4	1152969	<input type="checkbox"/> Coated Pushrim, for Zipp Disc	<input type="checkbox"/> 13" <input type="checkbox"/> 13-1/2" <input type="checkbox"/> 14" <input type="checkbox"/> 14-1/2" <input type="checkbox"/> 15" <input type="checkbox"/> 15-1/2" <input type="checkbox"/> 16"	
	1152970	<input type="checkbox"/> Taped Pushrim, for Zipp Disc		
	1152971	<input type="checkbox"/> Bare Pushrim, for Zipp Disc		
	1153162	Hardware for Zipp Disc Pushrim		
5	1152972	<input type="checkbox"/> Coated Pushrim, for Tri-Spoke	<input type="checkbox"/> 13" <input type="checkbox"/> 13-1/2" <input type="checkbox"/> 14" <input type="checkbox"/> 14-1/2" <input type="checkbox"/> 15" <input type="checkbox"/> 15-1/2" <input type="checkbox"/> 16"	
	1152973	<input type="checkbox"/> Taped Pushrim, for Tri-Spoke		
	1152974	<input type="checkbox"/> Bare Pushrim, for Tri-Spoke		
	1153163	Hardware for Tri-Spoke Pushrim		
	1139824	Rubber Coating to Elim Handrim (each), Cut to size, does not include glue		

Footnotes: 1. For center of rim to pushrim hole distance of 7-1/4". If other, specify _____



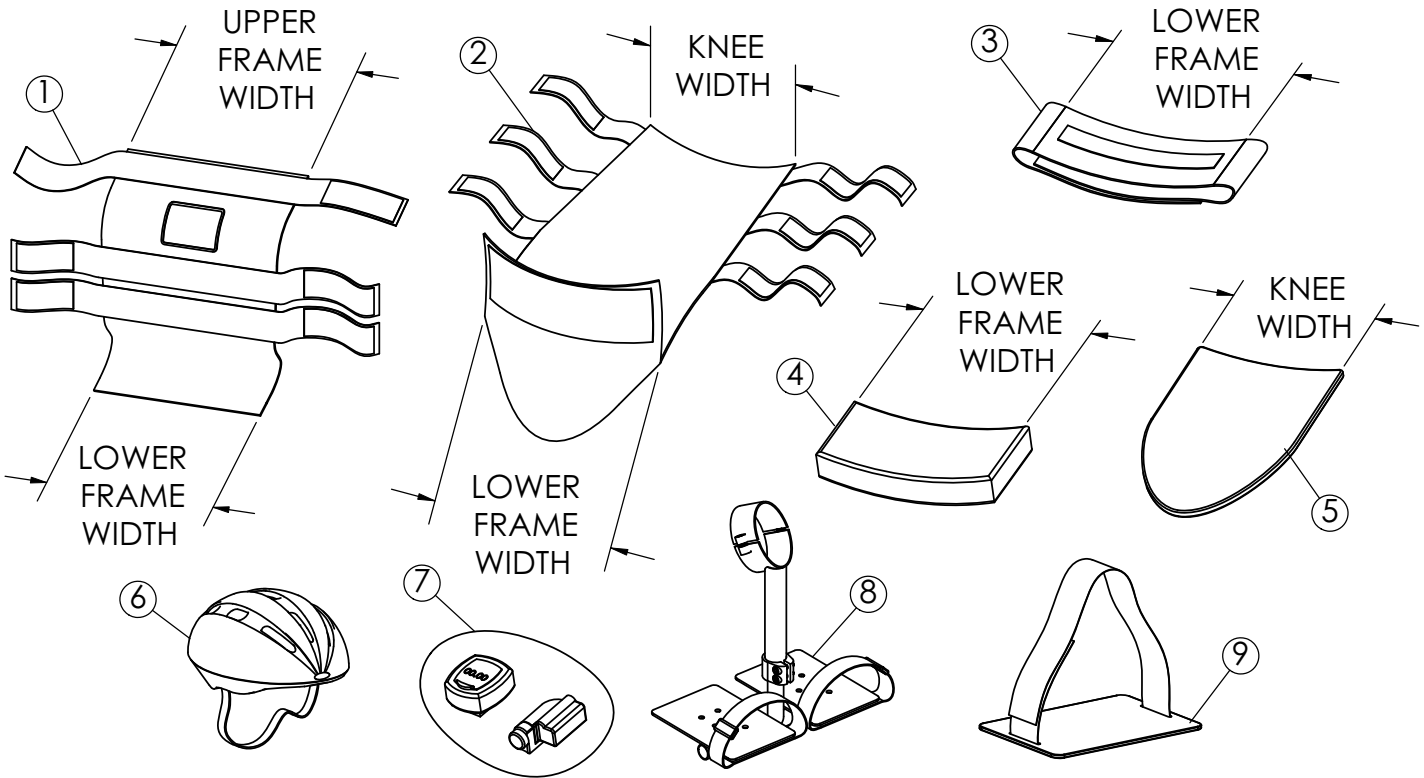
Sports and Recreation Products
 4501 63rd Circle North
 Pinellas Park, FL 33781
 (800) 532-8677 (727) 522-8677
 Fax: (727) 522-1007

Parts Order Diagram Eliminator Upholstery / Accessories

Date: _____ P.O./Customer#: _____ Ship to Customer Provider Part Tracking#: _____
(TOP END Use Only)

Provider _____	Acct# _____
Address _____	Suite _____
City _____	State _____ Zip _____
Work Phone (_____) _____	Fax _____
Cell Phone (_____) _____	
E-mail _____	

Customer _____
Address _____ Apt. _____
City _____ State _____ Zip _____
Home Phone (_____) _____
Cell Phone (_____) _____
E-mail _____



Upper Frame Width	Lower Frame Width	Knee Width
<input type="checkbox"/> 10" <input type="checkbox"/> 10-1/2" <input type="checkbox"/> 11" <input type="checkbox"/> 11-1/2" <input type="checkbox"/> 12" <input type="checkbox"/> 12-1/2" <input type="checkbox"/> 13" <input type="checkbox"/> 13-1/2" <input type="checkbox"/> 14" <input type="checkbox"/> 14-1/2" <input type="checkbox"/> 15" <input type="checkbox"/> 15-1/2" <input type="checkbox"/> 16" <input type="checkbox"/> 16-1/2" <input type="checkbox"/> 17"	<input type="checkbox"/> 10" <input type="checkbox"/> 10-1/2" <input type="checkbox"/> 11" <input type="checkbox"/> 11-1/2" <input type="checkbox"/> 12" <input type="checkbox"/> 12-1/2" <input type="checkbox"/> 13" <input type="checkbox"/> 13-1/2" <input type="checkbox"/> 14" <input type="checkbox"/> 14-1/2" <input type="checkbox"/> 15" <input type="checkbox"/> 15-1/2" <input type="checkbox"/> 16" <input type="checkbox"/> 16-1/2" <input type="checkbox"/> 17"	<input type="checkbox"/> 8" <input type="checkbox"/> 8-1/2" <input type="checkbox"/> 9" <input type="checkbox"/> 9-1/2" <input type="checkbox"/> 10" <input type="checkbox"/> 10-1/2" <input type="checkbox"/> 11" <input type="checkbox"/> 11-1/2" <input type="checkbox"/> 12" <input type="checkbox"/> 12-1/2" <input type="checkbox"/> 13" <input type="checkbox"/> 13-1/2" <input type="checkbox"/> 14" <input type="checkbox"/> 14-1/2" <input type="checkbox"/> 15" <input type="checkbox"/> 15-1/2" <input type="checkbox"/> 16" <input type="checkbox"/> 16-1/2" <input type="checkbox"/> 17"

Item No	Part Number	Description	Quantity	
1	1145978	Back Upholstery -specify above: Upper Frame Width, Lower Frame Width		EA
2	1145979	Kneel Upholstery -specify above: Lower Frame Width, Knee Width		EA
3	1145980	Seat Upholstery -specify above: Lower Frame Width		EA
4	1145981	Seat Cushion -specify above: Lower Frame Width		EA
5	1145982	Kneel Foam, 1/4" Black Foam -specify above: Knee Width		EA
6	1060639	Helmet <input type="checkbox"/> Small <input type="checkbox"/> Medium <input type="checkbox"/> Large		EA
7	1056875	Cordless Computer		EA
8	1127931	Footrest, Bolt-on		EA
9	1152934	Footrest Sling-style -includes plate and straps (three different lengths)		EA
	Race05	Top End Racing Suit		EA