

Invacare Top End Terminator Everyday/Titanium Ultra Lightweight Active Performance Rigid Wheelchair - UK Dealer Prescription Form

For accuracy of ordering, please fax order to Invacare Customer Service on 01656 776220 or e-mail to: ordersuk@invacare.com

www.topendwheelchair.co.uk



Provider name: _____ Account number: _____

PO number: _____

Phone number: _____ Fax number: _____

Address: _____

Customer name: _____ Phone number: _____

Address: _____

DATE:

QUOTE

ORDER

- Please indicate your choice with a cross in this square
- Indicate that this option has no upcharge

Manual Sport Wheelchair
January 2012

Item	Description	Comments and/or non compatibilities information	Price
FRAME TYPE			
<input type="checkbox"/>	TEDTi	Top End Terminator Titanium Built of 1" 3-2.5 seamless titanium. Max user weight 400 lbs (approx. 181 kg) for Titanium	£2,495
<input type="checkbox"/>	TED	Top End Terminator Everyday Built of 6061 T6 aluminium in 1" tubing only. Max user weight 350 lbs (approx. 159 kg) for Aluminium	£1,920
<input type="checkbox"/>	TED61	Heavy duty option <u>Only available</u> with folding back, single camber system (A) N/C with solid tyres, swingaway arms, one-sided forks, anodized forks or suspension Built of 4130 chrome-moly steel	£339
<input type="checkbox"/>	RACE101	CAD drawings Specify e-mail: _____ @ _____	POA
FRAME MODIFICATIONS			
Tubing size			
<input type="checkbox"/>	Standard	1"	<input type="radio"/>
<input type="checkbox"/>		3/4"	<input type="radio"/>
Front end options			
<input type="checkbox"/>		Tapered front end	<input type="radio"/>
<input type="checkbox"/>		Non tapered "V" front end	<input type="radio"/>
<input type="checkbox"/>		Tapered seat width	<input type="radio"/>
Taper difference rear to front (select one)			
<input type="checkbox"/>		Difference -1"	<input type="radio"/>
<input type="checkbox"/>		Difference -2"	<input type="radio"/>
<input type="checkbox"/>		Difference -3"	<input type="radio"/>
<input type="checkbox"/>		Difference -4"	<input type="radio"/>
LOWER REAR FRAME			
<input type="checkbox"/>	Standard	Curved	<input type="radio"/>
<input type="checkbox"/>	TEDTi5	Square	£66
SUSPENSION OPTIONS			
<input type="checkbox"/>	TEDTi4	Rear suspension option Minimum rear seat height is 16" for 25" and 17" for 26" knobby wheels	£240
<input type="checkbox"/>	TED59	Frog legs® suspension forks Weight of the user: _____ N/C with 85 or 90° front frame angle, seat depths less than 16" or one-sided forks, max weight is 250 lbs (approx. 113 kg)	£201
SEATING OPTIONS			
Seat width			
<input type="checkbox"/>		Seat width 12" (approx. 305 mm)	<input type="radio"/>
<input type="checkbox"/>		Seat width 13" (approx. 330 mm)	<input type="radio"/>
<input type="checkbox"/>		Seat width 14" (approx. 356 mm)	<input type="radio"/>
<input type="checkbox"/>		Seat width 15" (approx. 381 mm)	<input type="radio"/>
<input type="checkbox"/>		Seat width 16" (approx. 406 mm)	<input type="radio"/>
<input type="checkbox"/>		Seat width 17" (approx. 432 mm)	<input type="radio"/>
<input type="checkbox"/>		Seat width 18" (approx. 457 mm)	<input type="radio"/>
<input type="checkbox"/>		Other: _____ 20" or wider requires HD option	<input type="radio"/>
Seat depth			
<input type="checkbox"/>		Seat depth 14" (approx. 356 mm)	<input type="radio"/>
<input type="checkbox"/>		Seat depth 15" (approx. 381 mm)	<input type="radio"/>
<input type="checkbox"/>		Seat depth 16" (approx. 406 mm)	<input type="radio"/>
<input type="checkbox"/>		Seat depth 17" (approx. 432 mm)	<input type="radio"/>
<input type="checkbox"/>		Seat depth 18" (approx. 457 mm)	<input type="radio"/>

SEAT HEIGHTS OPTIONS			
Front seat-to-floor height			
<input type="checkbox"/>		Seat height front 17" (approx. 432 mm)	<input type="radio"/>
<input type="checkbox"/>		Seat height front 17.5" (approx. 445 mm)	<input type="radio"/>
<input type="checkbox"/>		Seat height front 18" (approx. 457 mm)	<input type="radio"/>
<input type="checkbox"/>		Seat height front 18.5" (approx. 470 mm)	<input type="radio"/>
<input type="checkbox"/>		Seat height front 19" (approx. 483 mm)	<input type="radio"/>
<input type="checkbox"/>		Seat height front 19.5" (approx. 495 mm)	<input type="radio"/>
<input type="checkbox"/>		Seat height front 20" (approx. 508 mm)	<input type="radio"/>
<input type="checkbox"/>		Seat height front 20.5" (approx. 521 mm)	<input type="radio"/>
<input type="checkbox"/>		Seat height front 21" (approx. 533 mm)	<input type="radio"/>
Rear seat-to-floor height			
<input type="checkbox"/>		Seat height rear 14.5" (approx. 368 mm)	Lowest height for 24" wheels with Primo, Kenda or solid tyres <input type="radio"/>
<input type="checkbox"/>		Seat height rear 15" (approx. 381 mm)	Lowest height for 24" wheels with Schwalbe, 1 3/8" tyres and 25" wheels except with knobby tyres <input type="radio"/>
<input type="checkbox"/>		Seat height rear 15.5" (approx. 394 mm)	Lowest height for 24" wheels with knobby tyres <input type="radio"/>
<input type="checkbox"/>		Seat height rear 16" (approx. 406 mm)	Lowest height for 25" wheels with knobby tyres or 26" wheels <input type="radio"/>
<input type="checkbox"/>		Seat height rear 16.5" (approx. 419 mm)	<input type="radio"/>
<input type="checkbox"/>		Seat height rear 17" (approx. 432 mm)	<input type="radio"/>
<input type="checkbox"/>		Seat height rear 17.5" (approx. 445 mm)	<input type="radio"/>
<input type="checkbox"/>		Seat height rear 18" (approx. 457 mm)	<input type="radio"/>
<input type="checkbox"/>		Seat height rear 18.5" (approx. 470 mm)	<input type="radio"/>
<input type="checkbox"/>		Seat height rear 19" (approx. 483 mm)	<input type="radio"/>
<input type="checkbox"/>		Seat height rear 19.5" (approx. 495 mm)	<input type="radio"/>
<input type="checkbox"/>		Seat height rear 20" (approx. 508 mm)	<input type="radio"/>
<input type="checkbox"/>		Seat height rear 20.5" (approx. 521 mm)	<input type="radio"/>
<input type="checkbox"/>		Seat height rear 21" (approx. 533 mm)	<input type="radio"/>
ERGO SEAT OPTIONS			
<input type="checkbox"/>	TED104	Ergo seat with tapered front end	Most benefit when seat height differentials are between 2" and 4", N/C with tapered seat width, minimum rear seat height of 15" is required with 24" rear wheels <input type="radio"/>
<input type="checkbox"/>	TED110	Ergo seat with V style front end	<input type="radio"/>
REAR TO FRONT CASTOR DISTANCE			
<input type="checkbox"/>	Standard	Seat depth plus 3"	<input type="radio"/>
<input type="checkbox"/>		Other: _____	<input type="radio"/>
FRONT FRAME ANGLE			
<input type="checkbox"/>		70°	<input type="radio"/>
<input type="checkbox"/>		75°	<input type="radio"/>
<input type="checkbox"/>		80°	<input type="radio"/>
<input type="checkbox"/>		85°	N/C with 6" front castors <input type="radio"/>
<input type="checkbox"/>		90°	N/C with 5" or 6" front castors <input type="radio"/>
FOOT SPACE WIDTH			
<input type="checkbox"/>	Standard	As per diagram	Exceptions: Seat Width 12", 13", 14" have foot space of 8" <input type="radio"/>
<input type="checkbox"/>		Other: _____	<input type="radio"/>
BACKREST			
Back type			
<input type="checkbox"/>	LKDWN (std)	Lock-down, folding ht/angle adj. Back	Only available with 1" upper frame <input type="radio"/>
<input type="checkbox"/>		Fixed back with fixed angle welded at 0°	N/C with folding back <input type="radio"/>
<input type="checkbox"/>		Fixed back with fixed angle welded at 3°	N/C with folding back <input type="radio"/>
<input type="checkbox"/>		Fixed back with fixed angle welded at 6°	N/C with folding back <input type="radio"/>
<input type="checkbox"/>		Fixed back with fixed angle welded at 9°	N/C with folding back <input type="radio"/>
<input type="checkbox"/>	Standard	Backrest crossbar opening (3.5" std)	<input type="radio"/>
<input type="checkbox"/>	TER196	Deep crossbar opening 4.5"	£30
<input type="checkbox"/>	TER196	Deep crossbar opening 5.5"	£30

Back height adjustments			
Adjustable back height without push handles			
<input type="checkbox"/>	9"-11" (approx. 229 - 279 mm)	3/4" tube telescoping in 1" tube	<input type="radio"/>
<input type="checkbox"/>	10"-14" (approx. 254 - 356 mm)	3/4" tube telescoping in 1" tube	<input type="radio"/>
<input type="checkbox"/>	12"-16" (approx. 305 - 406 mm)	3/4" tube telescoping in 1" tube	<input type="radio"/>
<input type="checkbox"/>	14"-18" (approx. 356 - 457 mm)	3/4" tube telescoping in 1" tube	<input type="radio"/>
<input type="checkbox"/>	16"-20" (approx. 406 - 508 mm)	3/4" tube telescoping in 1" tube	<input type="radio"/>
Fixed back height without push handles			
<input type="checkbox"/>	8" (approx. 203 mm)	N/C with folding back	<input type="radio"/>
<input type="checkbox"/>	9" (approx. 229 mm)	N/C with folding back	<input type="radio"/>
<input type="checkbox"/>	10" (approx. 254 mm)	N/C with folding back	<input type="radio"/>
<input type="checkbox"/>	11" (approx. 279 mm)	N/C with folding back	<input type="radio"/>
<input type="checkbox"/>	12" (approx. 305 mm)	N/C with folding back	<input type="radio"/>
<input type="checkbox"/>	13" (approx. 330 mm)	N/C with folding back	<input type="radio"/>
<input type="checkbox"/>	14" (approx. 356 mm)	N/C with folding back	<input type="radio"/>
<input type="checkbox"/>	15" (approx. 381 mm)	N/C with folding back	<input type="radio"/>
<input type="checkbox"/>	16" (approx. 406 mm)	N/C with folding back	<input type="radio"/>
Back upholstery and accessories			
<input type="checkbox"/>	Standard	Ballistic nylon tension adj w/straps and anchors	<input type="radio"/>
<input type="checkbox"/>	MESH	Breathable mesh tension adj with anchors	<input type="radio"/>
<input type="checkbox"/>	TER195	Back foam upgrade 1" extra	£126
<input type="checkbox"/>	TER197	Back centre width upgrade (equal to seat width)	£126
<input type="checkbox"/>	TED16	Fold over back upholstery	N/C with TER195, TER197 and camouflage £67
<input type="checkbox"/>	TED30	Back pack	£32
<input type="checkbox"/>	TED82	Push handles height adjustable bolt-on	Bolted to the back post and have 10" of adjustment up or down. 16" tall. N/C with swingaway tubular padded arms or back heights less than 11" £133
<input type="checkbox"/>	TED13	Push handles non-adjustable bolt-on	£50
<input type="checkbox"/>	TED97	Bolt-through integral push handles	N/C with foldover back upholstery £68
<input type="checkbox"/>	TED90	Welded integral push handles	Only avail. with fixed back, fixed height with std 1" lower frame N/C with foldover back upholstery £133
WHEELS			
Front wheels / Forks			
<input type="checkbox"/>	TED133	Frog legs® one sided forks	N/C with 6" castors or suspension. Black anodized colour only £128
<input type="checkbox"/>		3" Micro	<input type="radio"/>
<input type="checkbox"/>	TED165	3" Aluminium soft roll	£60
<input type="checkbox"/>		4" Semi-pneumatic	<input type="radio"/>
<input type="checkbox"/>		5" Semi-pneumatic	N/C with 90° front frame angle <input type="radio"/>
<input type="checkbox"/>		6" Semi-pneumatic	N/C with seat depths of 14" or less. N/C with 85° and 90° front frame <input type="radio"/>
<input type="checkbox"/>	TED65	4" Aluminium soft roll	Alu castors are 1.4" wide with soft roll tyres. Castor housing is flared 1.5" on each side £60
<input type="checkbox"/>	TED65	5" Aluminium soft roll	N/C with 90° front frame. Alu castors are 1.4" wide with soft roll tyres. Castor housing is flared 1.5" on each side. £60
<input type="checkbox"/>	TED65	6" Aluminium soft roll	N/C with 85° or 90° front frame angle. Alu castors are 1.4" wide with soft roll tyres. Castor housing is flared 2" on each side. £60
<input type="checkbox"/>	TED88	3" Lighted front wheels	£47
<input type="checkbox"/>	TED88	4" Lighted front wheels	£47
<input type="checkbox"/>	TED88	5" Lighted front wheels	£47
Rear wheel options			
<input type="checkbox"/>		22" Sun® Spoke	<input type="radio"/>
<input type="checkbox"/>		24" Sun® Spoke	<input type="radio"/>
<input type="checkbox"/>		25" Sun® Spoke	<input type="radio"/>
<input type="checkbox"/>		26" Sun® Spoke	<input type="radio"/>
<input type="checkbox"/>	TED67	22" Spinergy SPOX wheels	Flat free inserts not available on Spinergy wheels £328
<input type="checkbox"/>	TED67	24" Spinergy SPOX wheels	Flat free inserts not available on Spinergy wheels £328
<input type="checkbox"/>	TED134	24" Spinergy LX wheels (12 spoke)	Flat free inserts not available on Spinergy wheels £346
<input type="checkbox"/>	TED67	25" Spinergy SPOX wheels	Flat free inserts not available on Spinergy wheels £328
<input type="checkbox"/>	TED135	25" Spinergy LX wheels (12 spoke)	Flat free inserts not available on Spinergy wheels £346
<input type="checkbox"/>	TED67	26" Spinergy SPOX wheels	Flat free inserts not available on Spinergy wheels £328
Spoke colour (only for Spinergy® wheels)			
<input type="checkbox"/>	SPCBK - Std	Black	If colour is not chosen, spokes will be black <input type="radio"/>
<input type="checkbox"/>	SPCY	Yellow	<input type="radio"/>
<input type="checkbox"/>	SPCBW	White	<input type="radio"/>
<input type="checkbox"/>	SPCR	Red	<input type="radio"/>
<input type="checkbox"/>	SPCBL	Blue	<input type="radio"/>
<input type="checkbox"/>	TED27	Quad release axles	£84
<input type="checkbox"/>	TED76	Titanium axles	£102

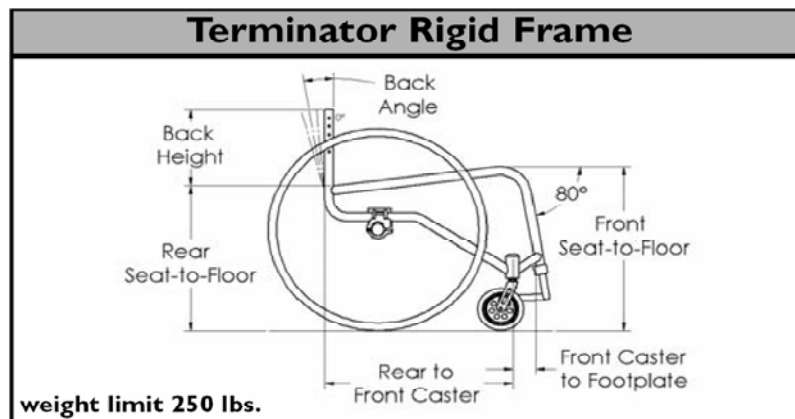
Tyre options				
<input type="checkbox"/>		Primo		<input type="radio"/>
<input type="checkbox"/>	TED123	Schwalbe flat resistant: black		£60
<input type="checkbox"/>		Pneumatic - 1 3/8 treaded		<input type="radio"/>
<input type="checkbox"/>	TED73	Pneumatic FF - 22 or 24 x 1 3/8" tyres		£84
<input type="checkbox"/>	TED60	Knobby tyres		£50
<input type="checkbox"/>	TED7	Solid no flat tyres: grey	N/C with heavy duty option	£50
<input type="checkbox"/>	TED7	Solid no flat tyres: black	N/C with heavy duty option	£50
<input type="checkbox"/>	TED101	Kenda® high pressure tyres: red		£50
<input type="checkbox"/>	TED101	Kenda® high pressure tyres: yellow		£50
WHEELS: EXTRA SET FOR OFF ROAD (includes wheels, tyres and aluminium pushrims)				
<input type="checkbox"/>	TED91	24" Knobby tyres (540)	24" Knobby fit 25" daily use wheels, with Primo tyres	£374
<input type="checkbox"/>	TED92	25" Knobby tyres (559)	25" Knobby fit 26" daily use wheels, with Primo tyres	£374
<input type="checkbox"/>	TED93	Extra set of axles		£36
HANDRIMS				
Mounting position				
<input type="checkbox"/>		Standard mount		<input type="radio"/>
<input type="checkbox"/>		Close mount		<input type="radio"/>
<input type="checkbox"/>	TER40	Cut tabs aluminium pushrims		£24
<input type="checkbox"/>	TERTi40	Cut tabs titanium pushrims		£50
Handrim options				
<input type="checkbox"/>	Standard	Aluminium anodized handrims		<input type="radio"/>
<input type="checkbox"/>	TED75	Titanium handrims	N/C with 22" wheels	£260
<input type="checkbox"/>	TED8	Coated handrims		£71
<input type="checkbox"/>	TED99	Natural Fit® standard grip handrims	N/C with 22" wheels	£187
<input type="checkbox"/>	TED98	Natural Fit® super grip handrims	N/C with 22" wheels	£217
<input type="checkbox"/>	TED199	Natural Fit® LT standard grip handrims	N/C with 22" wheels	£205
<input type="checkbox"/>	TED198	Natural Fit® LT super grip handrims	N/C with 22" wheels	£233
CAMBER SYSTEM (choose A or B)				
<input type="checkbox"/>	A (standard)	0° camber tube with single camber	Recommended for those who do not change camber	<input type="radio"/>
<input type="checkbox"/>	A (standard)	3° camber tube with single camber	Recommended for those who do not change camber	<input type="radio"/>
<input type="checkbox"/>	A (standard)	6° camber tube with single camber	Recommended for those who do not change camber	<input type="radio"/>
<input type="checkbox"/>	A (standard)	9° camber tube with single camber	Recommended for those who do not change camber	<input type="radio"/>
<input type="checkbox"/>	TED64	0° extra camber tube		£128
<input type="checkbox"/>	TED64	3° extra camber tube		£128
<input type="checkbox"/>	TED64	6° extra camber tube		£128
<input type="checkbox"/>	TED64	9° extra camber tube		£128
<input type="checkbox"/>	B	Adjustable camber system	Choose 2 angles, N/C with heavy duty option	<input type="radio"/>
Primary angle				
<input type="checkbox"/>	0°			
<input type="checkbox"/>	3°			
<input type="checkbox"/>	6°			
<input type="checkbox"/>	9°			
<input type="checkbox"/>	12°			
Secondary angle				
<input type="checkbox"/>	0°			
<input type="checkbox"/>	3°			
<input type="checkbox"/>	6°			
<input type="checkbox"/>	9°			
<input type="checkbox"/>	12°			
<input type="checkbox"/>	TED46	Adjustable camber inserts	Choose 2 angles	£84
<input type="checkbox"/>	0°			
<input type="checkbox"/>	3°			
<input type="checkbox"/>	6°			
<input type="checkbox"/>	9°			
<input type="checkbox"/>	12°			
Camber insert release type				
<input type="checkbox"/>	Standard	Nut & bolt		<input type="radio"/>
<input type="checkbox"/>	TED48	Quick release lever		£20

Overall Width by Camber Angle					
Wheel Type	0°	3°	6°	9°	12°
Spoke	6 ¾"	8"	10"	12 ¼"	14 ¼"
Add the amount above to the seat width to obtain overall width at its widest point					

FOOTREST OPTIONS				
Type of footplate				
<input type="checkbox"/>	Standard	1 piece tubular aluminium footrest Top of footplate to floor: _____	Without cover, N/C with "V" style front end User with short leg lengths, indicate top of the footplate to floor measurement, see knee-to-heel range chart and consider option TED191.	○
<input type="checkbox"/>		Adjustable angle one piece footplate	Required for frames with non tapered "V" style front	○
<input type="checkbox"/>	TED191	Adjustable angle footrest with 2" risers Top of footplate to floor: _____		£64
Footrest / Legrest accessories				
<input type="checkbox"/>	TED10	Plastic footrest cover	For tubular footrest only	£50
<input type="checkbox"/>	TED89	Carbon fibre footrest cover	For tubular footrest only	£84
<input type="checkbox"/>	TED28	Frame protector set (2 front, 1 rear)		£39
<input type="checkbox"/>	TED136	Chair armour black neoprene frame protectors		£39
<input type="checkbox"/>	TED137	Chair armour blue neoprene frame protectors		£39
<input type="checkbox"/>	TED138	Chair armour red neoprene frame protectors		£39
<input type="checkbox"/>	TED103	Luggage carriers		£68
	Standard	Calf strap (standard)		○
SEATING OPTIONS				
Seat accessories				
<input type="checkbox"/>	TED29	Seat pouch		£23
<input type="checkbox"/>	TED144	Heavy duty seat pouch		£52
<input type="checkbox"/>	TED72	Positioning strap - Hook & Loop		£26
<input type="checkbox"/>	TED74	Positioning strap - Auto style		£33
Cushions				
<input type="checkbox"/>	TED14	2" soft cushion	Filled with 2" soft foam which offer minimum protection	£50
Seat rigidizer / Solid seat				
<input type="checkbox"/>	TEDTi3	Welded titanium rigidizer bars w/ABS solid seat		£255
<input type="checkbox"/>	TED31	Welded aluminium rigidizer bar w/ABS solid seat		£119
<input type="checkbox"/>	TED112	Screw-on seat Terminator everyday (aluminium)	N/C with tapered seat width	£52
<input type="checkbox"/>	TEDTi112	Screw-on seat Terminator titanium	N/C with tapered seat width	£201
ANODIZING ACCENTS				
<input type="checkbox"/>	ANOBK	Bold black (standard)	Includes standard forks and back angle bracket	○
<input type="checkbox"/>	ANOSLV	Classic silver	Includes standard forks and back angle bracket	○
<input type="checkbox"/>	TED140	Shadow blue	Includes standard forks and back angle bracket	£50
<input type="checkbox"/>	TED198	Victory red	Includes standard forks and back angle bracket	£50
ARM OPTIONS				
Arm type				
<input type="checkbox"/>	TED78	Swingaway arms	N/C with adj height push handles.	£142
<input type="checkbox"/>	TED17	T-Arm height adj. Desk	Rigid side-guards included with the T-Arms	£151
Arm accessories				
<input type="checkbox"/>	TED18	Removable side guards with hole - 6" tall (sm)	N/C with T-Arms	£84
<input type="checkbox"/>	TED18	Removable side guards with hole - 7.5" tall (lg)	N/C with T-Arms	£84
<input type="checkbox"/>	TED79	Removable side guards / fender	N/C with T-Arms	£120
<input type="checkbox"/>	TED20	Fixed aluminium side guards even with wheels	Fixed back only, N/C with T-Arms	£122
<input type="checkbox"/>	TED20	Fixed aluminium side guards 1" above wheels	Fixed back only, N/C with T-Arms	£122
<input type="checkbox"/>	TED113	Fixed aluminium side guards with fender	Fixed back only, N/C with T-Arms	£151
<input type="checkbox"/>	TED83	Fixed carbon fibre side guards even with wheels	Fixed back only, N/C with tapered seat width or T-Arms	£170
<input type="checkbox"/>	TED83	Fixed carbon fibre side guards 1" above wheels	Fixed back only, N/C with tapered seat width or T-Arms	£170
<input type="checkbox"/>	TED121	Fold-in style black aluminium side guards	Fold-in style flip back for easier transfers and are adjustable in height / Compatible with both high (push or pull to lock) or undermount (scissor) wheel locks, N/C with adj height push handles if back height is 10-14" or less or with T-Arms	£84
<input type="checkbox"/>	TED142	Fold-in style carbon fibre side guards		£203
WHEEL LOCKS (choose one)				
<input type="checkbox"/>		Hideaway undermount wheel locks		○
<input type="checkbox"/>		Push or pull to lock wheel locks		○
<input type="checkbox"/>	TED81	Wheel lock extensions	Only available with push or pull to lock wheel locks	£26
<input type="checkbox"/>	TED22	Hill holders		£102
<input type="checkbox"/>		Omit wheel locks		○
MISCELLANEOUS ACCESSORIES				
<input type="checkbox"/>	TED21	Spoke guards: clear		£52
<input type="checkbox"/>	TED21	Spoke guards: black		£52
<input type="checkbox"/>	TED23	Rear anti tippers		£68
<input type="checkbox"/>	TED26	Crutch holder		£84
<input type="checkbox"/>	TED52	Anti-tipper with 3" swivel wheel		£100
<input type="checkbox"/>	TED94	Alignment gauge		£50
<input type="checkbox"/>	TED145	Water bottle and cage		£24
<input type="checkbox"/>	RACE22	Top End T-Shirt - Size L		£9
<input type="checkbox"/>	RACE22	Top End T-Shirt - Size XL		£9

UPHOLSTERY COLOUR			
<input type="checkbox"/>	Standard	Black	○
<input type="checkbox"/>	UPHI	Woodland camouflage	N/C with screw-on seat, mesh or fold over back upholstery. Ballistic nylon tension adjustable with anchors and straps for the back upholstery. If cushion is ordered it will also be camouflage. £67
<input type="checkbox"/>	UPH2	Desert camouflage	N/C with screw-on seat, mesh or fold over back upholstery. Ballistic nylon tension adjustable with anchors and straps for the back upholstery. If cushion is ordered it will also be camouflage. £88
FRAME COLOUR			
Contemporary colours			
<input type="checkbox"/>		Wet black	○
<input type="checkbox"/>		Black prism	○
<input type="checkbox"/>		White snow	○
<input type="checkbox"/>		Silver metallic	○
<input type="checkbox"/>		Stealth black	○
Way cool colours			
<input type="checkbox"/>		Electric blue	○
<input type="checkbox"/>		Midnight blue	○
<input type="checkbox"/>		Grasshopper green	○
Too hot colours			
<input type="checkbox"/>		Tangerine red	○
<input type="checkbox"/>		Electric red	○
<input type="checkbox"/>		Grape Madness	○
<input type="checkbox"/>		Safety yellow	○
<input type="checkbox"/>		Sunkissed orange	○
<input type="checkbox"/>		Bubblegum pink	○
Titanium			
<input type="checkbox"/>		Bead blast finish for titanium	For titanium only ○

ADDITIONAL INFORMATION & MEASURING GUIDE



Arm Heights (Top of Seat Rail to Top of Armrest)		Knee-to-Heel Range			
Swingaway	10.5" – 12.5" (Adjustable in 1" Increments)	Front Seat-to-Floor			
T-Arm	9.5" - 11.5" (Adjustable in 1" Increments)	17"	12 ¼" – 16 ¼"	20"	15 ¼" – 19 ¼"
		18"	13 ¼" – 17 ¼"	21"	16 ¼" – 20 ¼"
		19"	14 ¼" – 18 ¼"		

Wheel/Tire Chart – Applies to Standard & Spinergy Wheels				
Tire Choices	22"	24"	25"	26"
Primo: 1" high pressure grey clincher	X	X	X	X
Kenda: 1" high pressure clincher		X	X	X
Schwalbe 1" Black flat resistant		X	X	X
1 3/8" grey treaded	X	X		X
1 3/8" w/flat free	X	X		
Solid 1" no-flat		X	X	
Knobby" 2" wide grey		X	X	

		Width & Depth Matrix																	
Width (across)	Depth (down)	12"	12.43	13"	13.63	14"	14.63	15"	15.63	16"	16.63	17"	17.63	18"	18.63	19"	19.63	20"	
	12"	18.53	18.63	18.73	18.83	18.93	19.03	19.13	19.23	19.33	19.43	19.53	19.63	19.73	19.83	19.93	20.03	20.13	20.23
	13"	18.63	18.73	18.83	18.93	19.03	19.13	19.23	19.33	19.43	19.53	19.63	19.73	19.83	19.93	20.03	20.13	20.23	20.33
	14"	18.73	18.83	18.93	19.03	19.13	19.23	19.33	19.43	19.53	19.63	19.73	19.83	19.93	20.03	20.13	20.23	20.33	20.43
	15"	18.83	18.93	19.03	19.13	19.23	19.33	19.43	19.53	19.63	19.73	19.83	19.93	20.03	20.13	20.23	20.33	20.43	20.53
	16"	18.93	19.03	19.13	19.23	19.33	19.43	19.53	19.63	19.73	19.83	19.93	20.03	20.13	20.23	20.33	20.43	20.53	20.63
	17"	19.03	19.13	19.23	19.33	19.43	19.53	19.63	19.73	19.83	19.93	20.03	20.13	20.23	20.33	20.43	20.53	20.63	20.73
	18"	19.13	19.23	19.33	19.43	19.53	19.63	19.73	19.83	19.93	20.03	20.13	20.23	20.33	20.43	20.53	20.63	20.73	20.83
	19"	19.23	19.33	19.43	19.53	19.63	19.73	19.83	19.93	20.03	20.13	20.23	20.33	20.43	20.53	20.63	20.73	20.83	20.93
	20"	19.33	19.43	19.53	19.63	19.73	19.83	19.93	20.03	20.13	20.23	20.33	20.43	20.53	20.63	20.73	20.83	20.93	21.03

Section 1

Standard Chair Includes:	
*	Titanium Frame
*	Tubular footrest w/o plate
*	4" Semi-pneumatic casters/forks
*	3° Camber
*	24" High performance wheels
*	24" High pressure tires
*	Medium height folding back
*	Adjustable tension seating sling
*	Adjustable tension back upholstery

Top End Terminator Component Weights – Section 2

Seating	
Omit adjustable tension seat upholstery	- .85
No cushion	0
2" cushion	+1.10
Screw-on seat upholstery	+ .05
Back Type	
Folding	0
Fixed	- .80
Push Handles	
Adjustable height bolt-on	+1.60
Fixed height bolt-on	+1.70
Integral: welded	+ .75
Integral: bolt-through	+ .75
Back Upholstery	
Adjustable tension w/straps	0
Fold over	+ .09
Omit back upholstery	- .97
Armrests	
Swing away padded tubular	+2.64
T-Arm, Adj. Height Desk	+6.25
Footrest	
Tubular	0
Adjustable angle one piece footplate	+ .60
Plastic footrest cover	+ .35
Carbon fiber footrest cover	- .30
Front Casters (pair)	
3" Micro	- .13
3" Softroll	+ .19
3" Micro lighted	- .13
4" Semi pneumatic	0
5" Semi pneumatic	+ .31
4" Aluminum softroll	+ .44
5" Aluminum softroll	+ .92
4" Lighted	+ .22
5" Lighted	+ .53
Frog Leg front suspension forks	+ .64
Frog Leg one-sided forks	- .05
Wheel Locks	
Push or pull-to-lock	+1.00
Undermount scissor	+1.25
Wheel lock extensions	+ .40
Hill holders/grade aids	+ .51
Rear Suspension	+ .40

Knobby	+3.10
Solid 1" flat free	+2.15
Rear Wheels (pair)	
22" spoke	- .60
24" Sun high performance spoke	0
25" Sun high performance spoke	+ .30
26" Sun high performance spoke	+ .65
24" Spinerger Spox	- .80
24" Spinerger LX	-1.20
25" Spinerger Spox	- .60
25" Spinerger LX	-1.00
26" Spinerger Spox	- .25
Handrim	
Aluminum	0
Titanium	+ .20
Plastic coated	+1.40
Natural fit standard or super grip	+1.70
Natural fit LT	+1.25
Axles	
Standard quick release	0
Titanium quick release	- .17
Quad quick release	+ .22
Accessories	
Frame protectors/Chair armor	+ .10
Luggage carriers	+ .75
Calf strap	+ .10
Seat pouch	+ .35
Positioning strap – hoop and loop	+ .10
Positioning strap – auto style	+ .50
Spoke guards – black	+1.40
Spoke guards – clear	+1.60
Anti-tip bars	+1.63
Crutch holder	+1.45

Terminator Everyday will be approximately 2 pounds heavier than Terminator Titanium.

Section 1 _____ + Section 2 _____ = Total Weight _____

Sideguards	
Fold-in Style carbon fiber	+ .95
Fold-in Style black aluminum	+1.45
Folding	+1.45
Removable	+1.45
Removable side guards with fender	+1.94
Fixed aluminum	+1.45
Fixed carbon fiber	+1.00
Rear Tires (pair)	
High pressure, Primo or Kenda	0
Schwalbe	+ .75
Pneumatic 1 3/8"	+1.40
Pneumatic Flat Free	+1.45

Invacare Ltd: www.invacare.co.uk

Pencoed Technology Park, Pencoed, Bridgend, CF35 5AQ T: 01656 776222 F: 01656 776220

All rights reserved. Trademarks are identified by the symbols ™ and ®. All trademarks are owned by or licensed to Invacare Corporation unless otherwise noted.

Sun® is a registered trademark of Sun Components Inc. Natural Fit is a registered trademark of Three Rivers Holding, LLC. Frog Legs is a registered trademark of Frog Legs, Inc.

Spinerger is a registered trademark for Spinerger Corp. Schwalbe is a registered trademark of RALF BOHLE GmbH in Reichshof, Germany.

Kenda is a registered trademark of Kenda Rubber Industrial Co. Ltd. Specifications and prices are subject to change without notification.

©2011 Invacare Corporation - Form No.

